

ROMTEC UTILITIES / ITT GOULDS LINESHAFT TURBINE PUMP LIFT STATION

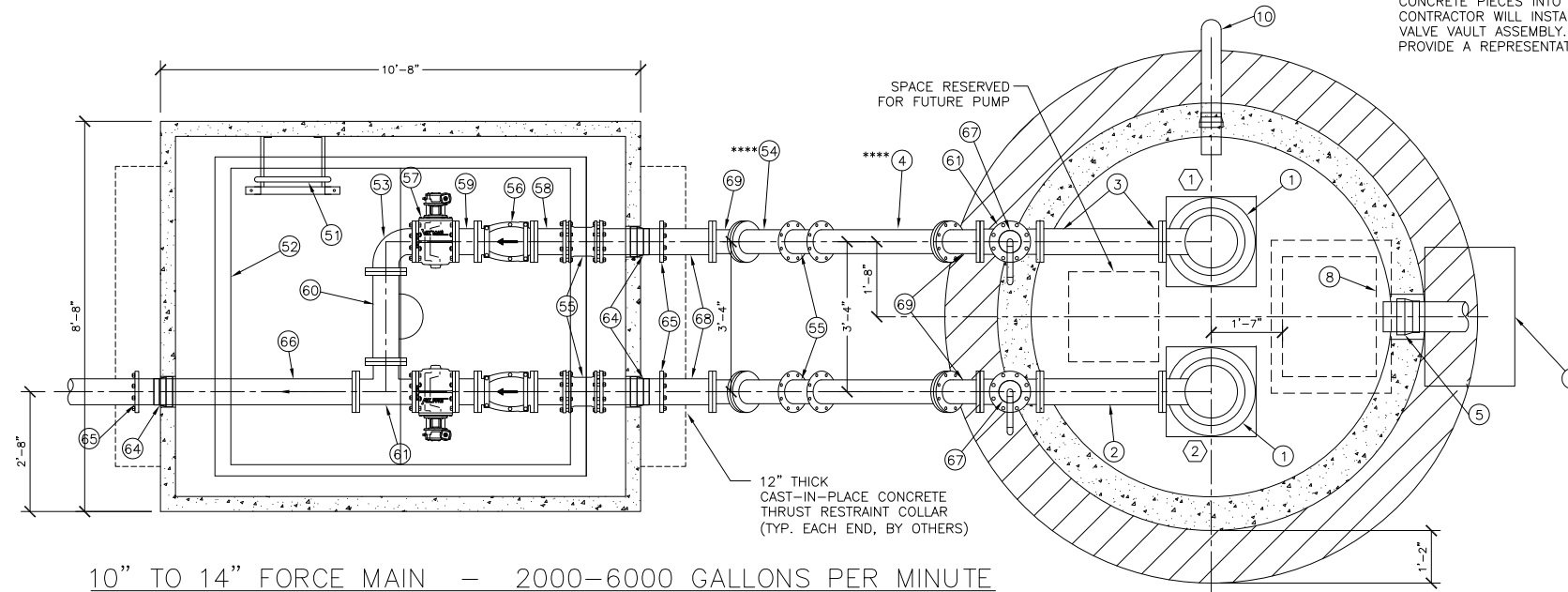
VAULT DESIGN NOTES:
VALVES AND PIPING SYSTEM FACTORY TESTED TO 100 PSI AFTER ASSEMBLY.

NOTE: VAULT TOP SLAB IS PEDESTRIAN RATED.

NOTE:
ALL MATERIALS SHOWN ON THIS SHEET WILL BE SUPPLIED BY ROMTEC UTILITIES AND DELIVERED TO THE SITE AFTER THE HOLE HAS BEEN EXCAVATED AND SHORED. THE CONTRACTOR WILL SUPPLY A CRANE OF SUFFICIENT SIZE TO LOWER ALL THE CONCRETE PIECES INTO THE HOLE SAFELY. THE CONTRACTOR WILL INSTALL THE WET WELL AND VALVE VAULT ASSEMBLY. ROMTEC UTILITIES WILL PROVIDE A REPRESENTATIVE FOR

TECHNICAL ADVICE ON THE DAY OF INSTALLATION TO ANSWER ANY QUESTIONS THAT MAY ARISE. THE CONTRACTOR IS RESPONSIBLE FOR ALL PLUMBING AND ELECTRICAL CONNECTIONS AND INSTALLATION. ITEMS NOTED AS "(BY OTHERS)" WILL BE PROVIDED AND INSTALLED BY THE CONTRACTOR. ROMTEC UTILITIES WILL NOT INSTALL ANY OF THE COMPONENTS SHOWN ON THIS PAGE.

- 51 VAULT LADDER
- 52 FLYGT ALUMINUM ACCESS HATCH PRECAST INTO VAULT TOP SLAB PART# FDRND-79X93
- 53 DI 90° BEND (FLGXFLG).
- ***54 DI SPOOL (FLG X PE); MEASURE LENGTH IN FIELD. NOT SUPPLIED OR INSTALLED BY ROMTEC UTILITIES. ***BY OTHERS.
- 55 COUPLING; HYMAX 2000.
- 56 FLANGED DI BODY SWING CHECK VALVE, VALMATIC SWINGFLEX MODEL 506A. PROVIDE BOTH VALVES WITH MECHANICAL INDICATOR (MI), AND ONE WITH BACKFLOW ACTUATOR (BF).
- 57 ECCENTRIC PLUG VALVE, VALMATIC CAMCENTRIC MODEL 5806R/7A02. FLANGED WITH 2" OPERATOR NUT AND WORM GEAR ACTUATOR
- 58 DI PIPE SPOOL X 12" (FLGXPE).
- 59 DI PIPE SPOOL X 6" (FLGXFLG).
- 60 DI PIPE SPOOL X 23-3/4" (FLGXFLG).
- 61 DI TEE (FLGXFLG)
- 62 NOT USED.
- 63 ADJUSTABLE PIPE SUPPORT, STANDON (TYP OF 5).
- 64 VAULT SEAL, KOR-N-SEAL (TYP OF 3).
- 65 RETAINER GLAND CENTERED IN THRUST COLLAR, ROMAGRIP (TYP OF 3).
- 654 RESTRAIN TIE ROD BOLTS, SECURED IN THRUST BLOCK, (BY OTHERS)
- 66 SPOOL X 76" (FLG X PE)
- 67 AIR RELEASE VALVE; BERMAID MODEL 4415P
- 68 DI PIPE SPOOL X 36" (FLGXPE).
- 69 DI 45° BEND (FLGXFLG).
- 70 PRECAST VAULT SUMP FOR SUMP PUMP OR GRAVITY DRAIN TO APPROVED POINT.
- 71 GRAVITY DRAIN (BY OTHERS). COORDINATE WITH BUILDING CONTRACTOR TO CONNECT SUMP TO PUMP STATION.



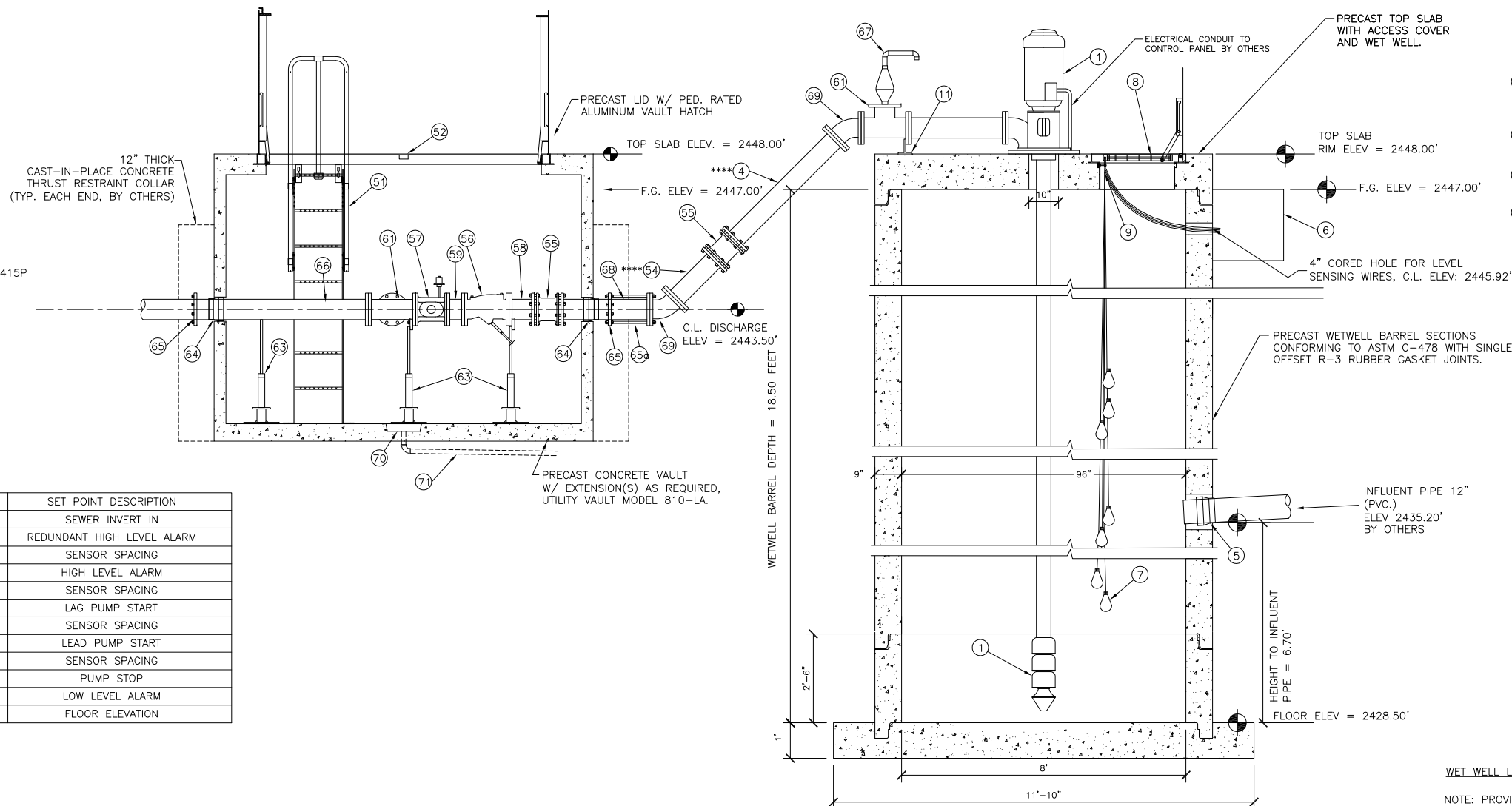
10" TO 14" FORCE MAIN - 2000-6000 GALLONS PER MINUTE

PUMP DESIGNATIONS

- 1 PUMP #1
- 2 PUMP #2

WET WELL DESIGN NOTES:

- 1 VERTICAL LINESHAFT TURBINE PUMPS, GOULDS, 50HP.
- 2 DI PIPE SPOOL (FLGXFLG).
- 3 DI 45° BEND (FLGXFLG).
- ***4 DI SPOOL (FLG X PE); MEASURE LENGTH IN FIELD. NOT SUPPLIED OR INSTALLED BY ROMTEC UTILITIES. ***BY OTHERS.
- 5 WET WELL SEAL, KOR-N-SEAL.
- 6 LEVEL SENSING TERMINAL BOX FOR FLOAT WIRING CONNECTIONS, CHRISTY HANDHOLE-PGE MODEL 1730-24PGE.
- 7 PUMP CONTROL SYSTEM. SEVEN FLYGT ENM-10 LIQUID LEVEL SENSORS FOR REDUNDANT HIGH LEVEL ALARM, HIGH LEVEL ALARM, LAG & LEAD START, PUMPS STOP, LOW LEVEL ALARM AND REDUNDANT LOW LEVEL ALARM COMMANDS. PT# 582-88-30
- 8 ALUMINUM ACCESS HATCH PRECAST INTO WET WELL TOP SLAB. PROVIDE WITH SAFETY GRATE. PT# 51364.
- 9 3/16 STAINLESS STEEL CABLE HOOKS
- 10 4" PVC VENT PIPE.
- 11 DISCHARGE PIPE SUPPORT STAND



LEVEL ELEVATION	DISTANCE-BETWEEN-POINTS	SET POINT DESCRIPTION
2435.20		SEWER INVERT IN
2442.50		REDUNDANT HIGH LEVEL ALARM
	0.50	SENSOR SPACING
2442.00		HIGH LEVEL ALARM
	000.00	SENSOR SPACING
000.00		LAG PUMP START
	000.00	SENSOR SPACING
000.00		LEAD PUMP START
	000.00	SENSOR SPACING
000.00		PUMP STOP
	000.00	LOW LEVEL ALARM
2428.50		FLOOR ELEVATION

WET WELL LINING SYSTEM:

NOTE: PROVIDE JOINT WRAP TO EXTERIOR TAPECOAT M-680, 6" WIDE AT EACH EXTERIOR JOINT. (ROMTEC UTILITIES TO SUPPLY, CONTRACTOR TO INSTALL.)

© 2007 ROMTEC, INC. ALL RIGHTS RESERVED. THESE PLANS AND DRAWINGS MAY NOT BE REPRODUCED, ADAPTED, OR FURTHER DISTRIBUTED, AND NO COMPONENTS MAY BE CONSTRUCTED FROM THESE PLANS, WITHOUT WRITTEN PERMISSION OF ROMTEC, INC.

NO.	DATE	DESCRIPTION	BY
1	5-8-08	COMPONENT DRAWING	AD

VERIFY SCALE
BAR IS ONE INCH ON ORIGINAL DRAWING
IF NOT ONE INCH ON SCALES ACCORDINGLY

DATE: APRIL 2008

ROMTEC UTILITIES
18240 NORTH BANK ROAD
ROSEBURG, OR 97470
(541) 496-9678
FAX (541) 496-0804

ROMTEC Utilities, Inc.
**LARGE FLOW
LINE SHAFT TURBINE SYSTEM**

SHEET
1 of 3
JOB NUMBER
RMTC 0000