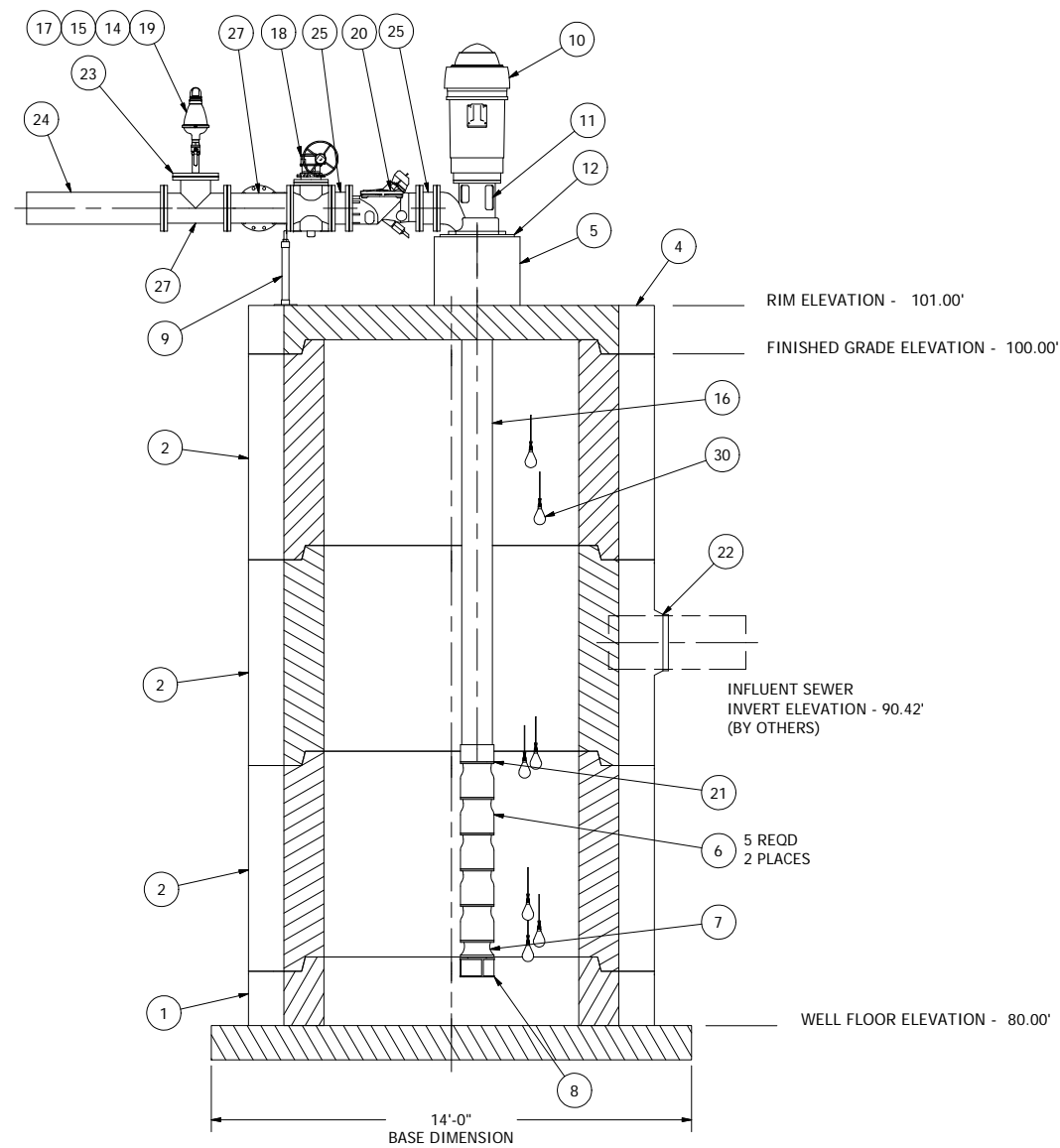
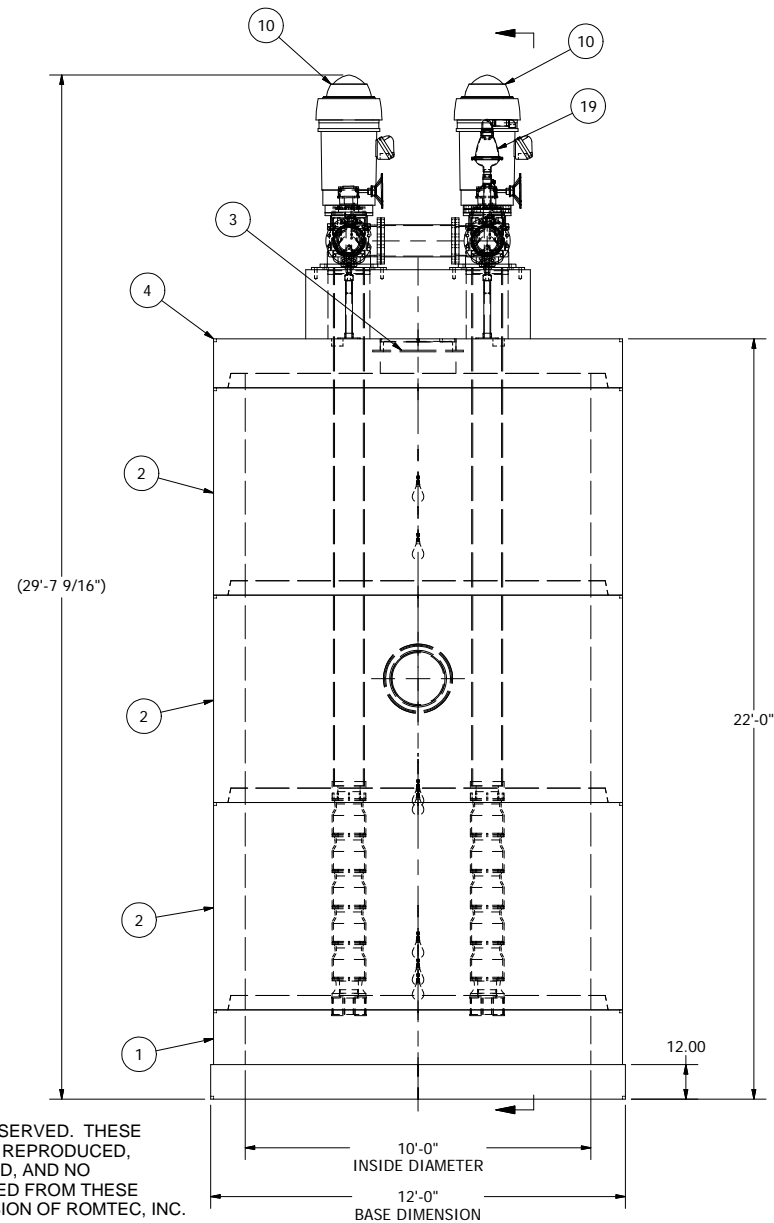


**10" TO 14" FORCE MAIN - 2000-6000 GALLONS PER MINUTE**



Parts List			
ITEM	QTY	STOCK NUMBER	DESCRIPTION
1	1	10-5168	BASE - WW - 10ft - RU FLAT BASE - 12ft X 14ft
2	3	12-5906	BARREL - 10ft DIA X 6ft H
3	1	13-XXXX	A-1024 MANHOLE COVER ASSEMBLY
4	1	14-XXXX	TOP SLAB - 10ft
5	1	18-XXXX	CONCRETE RISER
6	10	18-XXXX	BOWL
7	2	18-XXXX	BELL
8	2	18-XXXX	BASKET STRAINER
9	2	25-6530	STAND; 4" PIPE SUPPORT S89 FLG
10	2	30-XXXX	MOTOR - 445TP - 200HP
11	2	31-XXXX	DISCHARGE HEAD
12	2	31-XXXX	SOLE PLATE - DISCHARGE HEAD
13	2	32-XXXX	MOTOR SHAFT
14	1	40-5089	NIPPLE - GALV - 2in SCH40 X CLOSE
15	1	40-6245	NIPPLE - GALV - 2in SCH40 X 6in
16	2	40-XXXX	COLUMN PIPE - 10in
17	1	41-5041	VALVE - BALL - 2in BRASS - 1-4 TURN
18	2	41-5396	VALVE - PLUG - 10in - GEAR OP
19	1	41-XXXX	AIR RELEASE VALVE
20	2	41-XXXX	VALVE - SWING CHECK - 10in
21	2	42-XXXX	COUPLER - COLUMN PIPE
22	1	43-5180	KOR-N-SEAL - 24in CORE - 18in PIPE
23	1	44-XXXX	FLANGE - DI - 10in - WITH 2in TAP
24	1	45-5213	SPOOL - FLG X PE - 10in X 48in - DI
25	4	45-5393	SPOOL - FLG X FLG - 10in X 6in - DI
26	1	45-XXXX	SPOOL - FLG X FLG - 10in X 25.75in - DI
27	2	46-5204	TEE - DI - 10in - FLG X FLG
28	1	46-5211	ELBOW - DI - 10in - 90 DEG - FLG X FLG
29	15	47-5252	GASKET - FLANGE - 10in X 1/8in
30	7	60-6117	MECH SWCH ENM-10 CABLE 43'

DATE	DESCRIPTION	BY	AM
04/13/09	COMPONENT DRAWING		
04/10/09	REV		

**COMPONENT DRAWING**

**ROMTEC UTILITIES**  
 18240 NORTH BANK ROAD  
 ROSEBURG, OREGON 97470  
 (541) 496-9678  
 FAX (541) 496-0804

ROMTEC Utilities, Inc.  
**LARGE FLOW LINE SHAFT TURBINE SYSTEM**

NOTE: ALL DIMENSIONS AND ELEVATIONS SHOWN ARE NOMINAL DIMENSIONS. IT IS THE RESPONSIBILITY OF THE ON-SITE CONTRACTOR OR ROMTEC UTILITIES CUSTOMER (NOT ROMTEC UTILITIES) TO VERIFY THE ACCURACY OF ANY CRITICAL DIMENSIONS OR ELEVATIONS PRIOR TO SETTING OR INSTALLING ANY EQUIPMENT.

**10' DIAMETER WET WELL  
 10" DISCHARGE PIPING  
 200HP 5-STAGE TURBINE PUMPS**

ALL MATERIALS SHOWN ON THIS SHEET WILL BE SUPPLIED BY ROMTEC UTILITIES AND DELIVERED TO THE SITE AFTER THE HOLE HAS BEEN EXCAVATED AND SHORED. THE CONTRACTOR SHALL SUPPLY A CRANE OF SUFFICIENT SIZE TO LOWER ALL THE CONCRETE PIECES INTO THE HOLE SAFELY. THE CONTRACTOR SHALL INSTALL THE WET WELL (AND VALVE VAULT AND METERING VAULT IF APPLICABLE). ROMTEC UTILITIES WILL PROVIDE A REPRESENTATIVE FOR TECHNICAL ASSISTANCE ON THE DAY OF INSTALLATION TO ANSWER ANY QUESTIONS THAT MAY ARISE. THE CONTRACTOR IS RESPONSIBLE FOR ALL PLUMBING AND ELECTRICAL CONNECTIONS AND INSTALLATION. ITEMS NOTED AS "BY OTHERS" WILL BE PROVIDED AND INSTALLED BY THE CONTRACTOR. ROMTEC UTILITIES WILL NOT INSTALL ANY OF THE COMPONENTS SHOWN ON THIS PAGE.

© 2009 ROMTEC INC. ALL RIGHTS RESERVED. THESE PLANS AND DRAWINGS MAY NOT BE REPRODUCED, ADAPTED, OR FURTHER DISTRIBUTED, AND NO COMPONENTS MAY BE CONSTRUCTED FROM THESE PLANS, WITHOUT WRITTEN PERMISSION OF ROMTEC, INC.