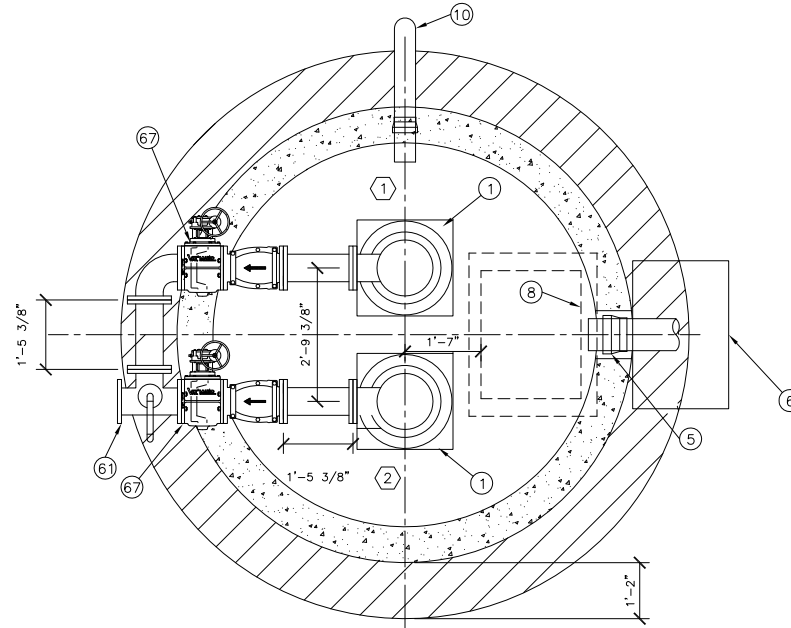


ROMTEC UTILITIES / ITT GOULDS LINESHAFT TURBINE PUMP LIFT STATION

VAULT DESIGN NOTES:
1. ALL PIPING & VALVES ARE 6 INCH DIAMETER.

2. VALVES AND PIPING SYSTEM FACTORY TESTED TO 100 PSI AFTER ASSEMBLY.

- 51 VAULT LADDER
- 52 FLYGT ALUMINUM ACCESS HATCH PRECAST INTO VAULT TOP SLAB PART# FDRND-79X93
- 53 6" DI 90° BEND (FLGXFLG).
- ****54 6" DI SPOOL (FLG X PE); MEASURE LENGTH IN FIELD. NOT SUPPLIED OR INSTALLED BY ROMTEC UTILITIES. ****BY OTHERS.
- 55 6" COUPLING; HYMAX 2000.
- 56 6" FLANGED DI BODY SWING CHECK VALVE, VALMATIC SWINGFLEX MODEL 506A. PROVIDE BOTH VALVES WITH MECHANICAL INDICATOR (MI), AND ONE WITH BACKFLOW ACTUATOR (BF).
- 57 6" ECCENTRIC PLUG VALVE, VALMATIC CAMCENTRIC MODEL 5806R/7A02. FLANGED WITH 2" OPERATOR NUT AND WORM GEAR ACTUATOR
- 58 6" DI PIPE SPOOL X 12" (FLGXPE).
- 59 6" DI PIPE SPOOL X 6" (FLGXFLG).
- 60 6" DI PIPE SPOOL X 23-3/4" (FLGXFLG).
- 61 6" DI TEE (FLGXFLG)
- 62 NOT USED.
- 63 ADJUSTABLE PIPE SUPPORT, STANDON (TYP OF 5).
- 64 VAULT SEAL, KOR-N-SEAL (TYP OF 3).
- 65 RETAINER GLAND CENTERED IN THRUST COLLAR, ROMAGRIP (TYP OF 3).
- 65a RESTRAIN TIE ROD BOLTS, SECURED IN THRUST BLOCK, (BY OTHERS)
- 66 6" SPOOL X 76" (FLG X PE)
- 67 AIR RELEASE VALVE; BERMAID MODEL 4415P
- 68 4" DI PIPE SPOOL X 36" (FLGXPE).
- 69 6" DI 45° BEND (FLGXFLG).
- 70 PRECAST VAULT SUMP FOR SUMP PUMP OR GRAVITY DRAIN TO APPROVED POINT.
- 71 GRAVITY DRAIN (BY OTHERS). COORDINATE WITH BUILDING CONTRACTOR TO CONNECT SUMP TO PUMP STATION.



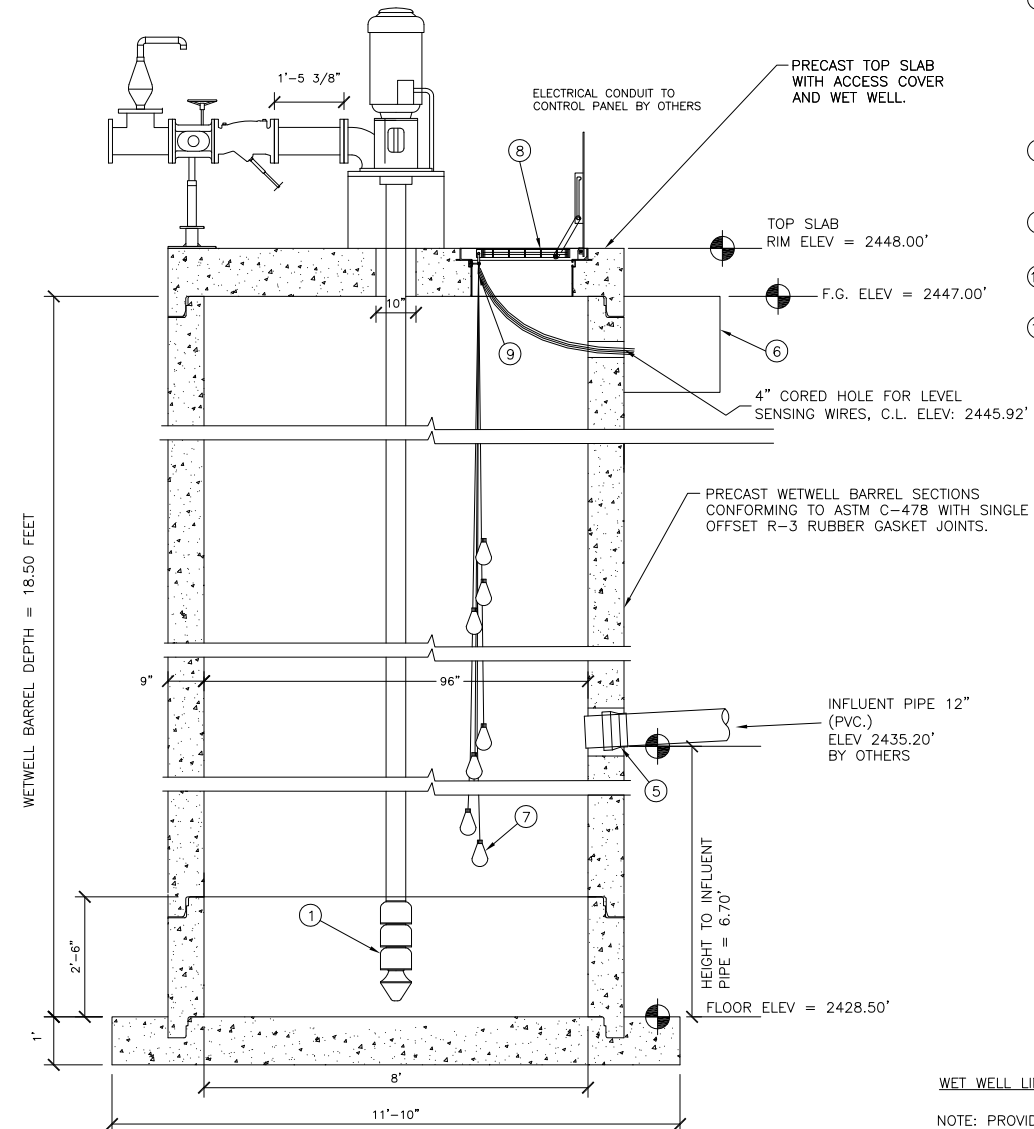
8" TO 10" FORCE MAIN - 800-2200 GALLONS PER MINUTE

PUMP DESIGNATIONS

- 1 PUMP #1
- 2 PUMP #2

WET WELL DESIGN NOTES:

- 1 VERTICAL LINESHAFT TURBINE PUMPS, GOULDS, 50HP.
- 2 6" DI PIPE SPOOL (FLGXFLG).
- 3 6" DI 45° BEND (FLGXFLG).
- ****4 6" DI SPOOL (FLG X PE); MEASURE LENGTH IN FIELD. NOT SUPPLIED OR INSTALLED BY ROMTEC UTILITIES. ****BY OTHERS.
- 5 WET WELL SEAL, KOR-N-SEAL.
- 6 LEVEL SENSING TERMINAL BOX FOR FLOAT WIRING CONNECTIONS. CHRISTY HANDHOLE-PGE MODEL 1730-24PGE.
- 7 PUMP CONTROL SYSTEM. SEVEN FLYGT ENM-10 LIQUID LEVEL SENSORS FOR REDUNDANT HIGH LEVEL ALARM, HIGH LEVEL ALARM, LAG & LEAD START, PUMPS STOP, LOW LEVEL ALARM AND REDUNDANT LOW LEVEL ALARM COMMANDS. PT# 582-88-30
- 8 ALUMINUM ACCESS HATCH PRECAST INTO WET WELL TOP SLAB. PROVIDE WITH SAFETY GRATE. PT# 51364.
- 9 3/16 STAINLESS STEEL CABLE HOOKS
- 10 4" PVC VENT PIPE.
- 11 DISCHARGE PIPE SUPPORT STAND



NO.	DATE	DESCRIPTION	BY
1	5-8-08	COMPONENT DRAWING	AD
		REVISIONS	BY

VERIFY SCALE
BAR IS ONE INCH ON ORIGINAL DRAWING
DO NOT USE INCH ON THIS SHEET, ADJUST SCALES ACCORDINGLY
DSN: AD
CKD: AD
DATE: APRIL 2009

ROMTEC UTILITIES
18240 NORTH BANK ROAD
ROSEBURG, OR 97470
(541)-496-9678
FAX (541)-496-0804

ROMTEC Utilities, Inc.
MEDIUM FLOW
LINE SHAFT TURBINE SYSTEM

SHEET
1 OF 3
JOB NUMBER
RMTc 0000