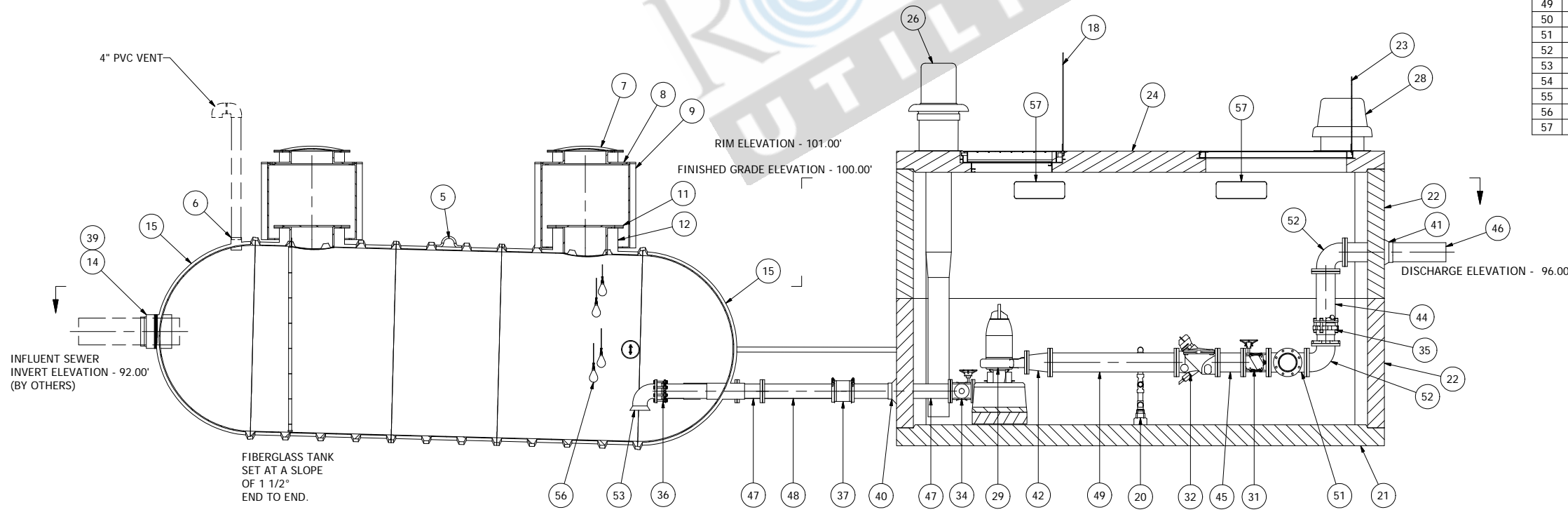


**12" TO 18" FORCE MAIN - 1000 TO 5000 GALLONS PER MINUTE**



Parts List			
ITEM	QTY	STOCK NUMBER	DESCRIPTION
1	1	11-REF	PIPE SLEEVE - 8in
2	1	11-REF	LADDER TOP
3	7	11-REF	LADDER RUNG
4	1	11-REF	LADDER BASE
5	1	11-REF	LIFTING BAR
6	1	11-REF	4" NPT PIPE COUPLING
7	2	11-REF	WATERTIGHT LID
8	2	11-REF	ACCESS SUMP COVER
9	1	11-REF	ACCESS SUMP
10	1	11-REF	ACCESS SUMP - 48in
11	2	11-REF	MANWAY LID
12	2	11-REF	MANWAY - 30 in
13	3	11-REF	PIPE SLEEVE - 6in
14	1	11-REF	PIPE SLEEVE - 16in X
15	2	11-REF	DOME TOP - 8ft
16	1	11-REF	BARREL - 8ft FIBERGLASS
17	2	11-REF	BARREL - 8ft FIBERGLASS
18	1	13-5083	HATCH - WW - 8ft PED TRI - NO V/T - FLET-34X76AOSHMOD
20	1	18-XXXX	SUMP PUMP ASSEMBLY
21	1	20-XXXX	VAULT BASE - 1020-LA-10
22	2	22-XXXX	VAULT RISER - 1020-LA-10
23	1	23-6508	HATCH - VV - 577 - PED - FDRND-0-39X67
24	1	24-XXXX	VAULT TOP
25	1	25-XXXX	LADDER - 13ft
26	1	25-XXXX	INTAKE FAN
27	1	25-XXXX	CONCRETE BASE
28	1	25-XXXX	EXHAUST FAN
29	3	30-XXXX	45HP PUMPS
30	1	41-5047	VALVE - TIDEFLEX - 2in - TF-2
31	3	41-5233	VALVE - PLUG - 8in - GEAR OP - FBEC
32	3	41-6157	VALVE - SWING CHECK - 8in
33	6	41-6564	HANDWHEEL - 8in
34	3	41-6567	VALVE - PLUG - 6in - WITH OP NUT
35	1	42-5074	COUPLING - ROMAC - RFCA - 8in FBEC
36	3	42-5232	MEGAFLANGE ADAPTER - 6in - SERIES 2100
37	3	42-6075	COUPLING - HYMAX 2000 - 6in
38	2	43-5186	KOR-N-SEAL - 8in CORE - 1.70 THRU 4.80 PIPE
39	1	43-5193	KOR-N-SEAL - 16in CORE - 12in PIPE
40	3	43-6113	KOR-N-SEAL - 12in CORE - 6in PIPE
41	1	43-6135	KOR-N-SEAL - 12in CORE - 8in PIPE
42	3	44-XXXX	REDUCER - DI - CONCENTRIC - 8in X 6in
43	2	45-5051	SPOOL - FLG X PE - 6in X 36in - DI
44	1	45-5055	SPOOL - FLG X PE - 8in X 30in - DI
45	3	45-5056	SPOOL - 8" X 12" DI FLG X FLG
46	1	45-5212	SPOOL - FLG X PE X 8in X 48in - DI
47	6	45-6510	SPOOL - FLG X PE - 6in X 48in - DI
48	1	45-6538	SPOOL - FLG X PE - 6in X 36in - DI
49	3	45-XXXX	SPOOL - FLG X FLG - 8in X 60in - DI
50	2	45-XXXX	SPOOL - FLG X FLG - 8in" X 7.75in" - DI
51	1	46-5172	CROSS - DI - 8in
52	4	46-5281	ELBOW - DI - 8in - 90 DEG - FLG X FLG
53	3	46-XXXX	ELBOW - DI - 6in - 90 DEG - FLG X FLARE
54	23	47-5222	GASKET - FLANGE - 8in X 1/8in
55	13	47-6547	GASKET - FLANGE - 6in X 1/8in
56	4	60-6117	MECH SWCH ENM-10 CABLE 43'
57	2	62-5335	LIGHT - EXPLOSION PROOF

NOTE: ALL DIMENSIONS AND ELEVATIONS SHOWN ARE NOMINAL DIMENSIONS. IT IS THE RESPONSIBILITY OF THE ON-SITE CONTRACTOR OR ROMTEC UTILITIES CUSTOMER (NOT ROMTEC UTILITIES) TO VERIFY THE ACCURACY OF ANY CRITICAL DIMENSIONS OR ELEVATIONS PRIOR TO SETTING OR INSTALLING ANY EQUIPMENT.

**8" DIAMETER WET WELL  
8" DISCHARGE PIPING  
45HP PUMPS  
8' X 18' DRY WELL**

ALL MATERIALS SHOWN ON THIS SHEET WILL BE SUPPLIED BY ROMTEC UTILITIES AND DELIVERED TO THE SITE AFTER THE HOLE HAS BEEN EXCAVATED AND SHORED. THE CONTRACTOR SHALL SUPPLY A CRANE OF SUFFICIENT SIZE TO LOWER ALL THE CONCRETE PIECES INTO THE HOLE SAFELY. THE CONTRACTOR SHALL INSTALL THE WET WELL (AND VALVE VAULT AND METERING VAULT IF APPLICABLE). ROMTEC UTILITIES WILL PROVIDE A REPRESENTATIVE FOR TECHNICAL ASSISTANCE ON THE DAY OF INSTALLATION TO ANSWER ANY QUESTIONS THAT MAY ARISE. THE CONTRACTOR IS RESPONSIBLE FOR ALL PLUMBING AND ELECTRICAL CONNECTIONS AND INSTALLATION. ITEMS NOTED AS "BY OTHERS" WILL BE PROVIDED AND INSTALLED BY THE CONTRACTOR. ROMTEC UTILITIES WILL NOT INSTALL ANY OF THE COMPONENTS SHOWN ON THIS PAGE.

© 2009 ROMTEC INC. ALL RIGHTS RESERVED. THESE PLANS AND DRAWINGS MAY NOT BE REPRODUCED, ADAPTED, OR FURTHER DISTRIBUTED, AND NO COMPONENTS MAY BE CONSTRUCTED FROM THESE PLANS, WITHOUT WRITTEN PERMISSION OF ROMTEC, INC.

<p><b>COMPONENT DRAWING</b></p>	<p><b>REVISIONS</b></p> <table border="1" style="width: 100%; border-collapse: collapse;"> <tr> <th>REV</th> <th>DESCRIPTION</th> <th>DATE</th> <th>BY</th> </tr> <tr> <td>1</td> <td>COMPONENT DRAWING</td> <td>04/02/09</td> <td>AM</td> </tr> </table>	REV	DESCRIPTION	DATE	BY	1	COMPONENT DRAWING	04/02/09	AM
REV	DESCRIPTION	DATE	BY						
1	COMPONENT DRAWING	04/02/09	AM						

VERIFY SCALE BAR IS ONE INCH ON ORIGINAL DRAWING

0 IF NOT ONE INCH ON THIS SHEET, ADJUST SCALE ACCORDINGLY

DSN - AM	DRN - AM	CKD -	DATE - 04/02/09
----------	----------	-------	-----------------

**ROMTEC UTILITIES**

18240 NORTH BANK ROAD  
ROSEBURG, OREGON 97470  
(541) 496-9678  
FAX (541) 496-0804

ROMTEC Utilities, Inc.

**X-LARGE FLOW  
WET / DRY SYSTEM**

SHEET

**1 OF 1**

JOB NUMBER

**RMTC  
0000**