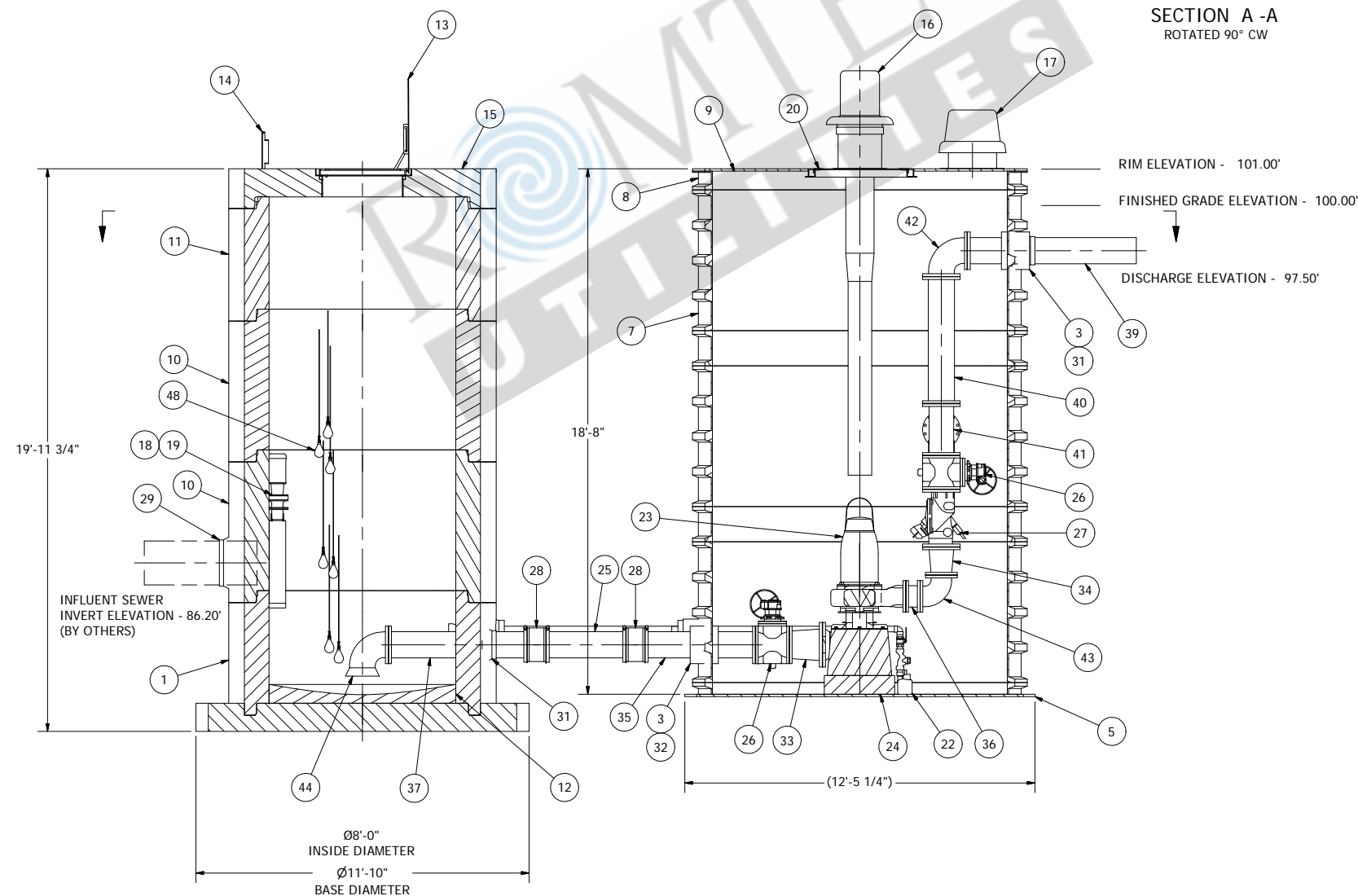
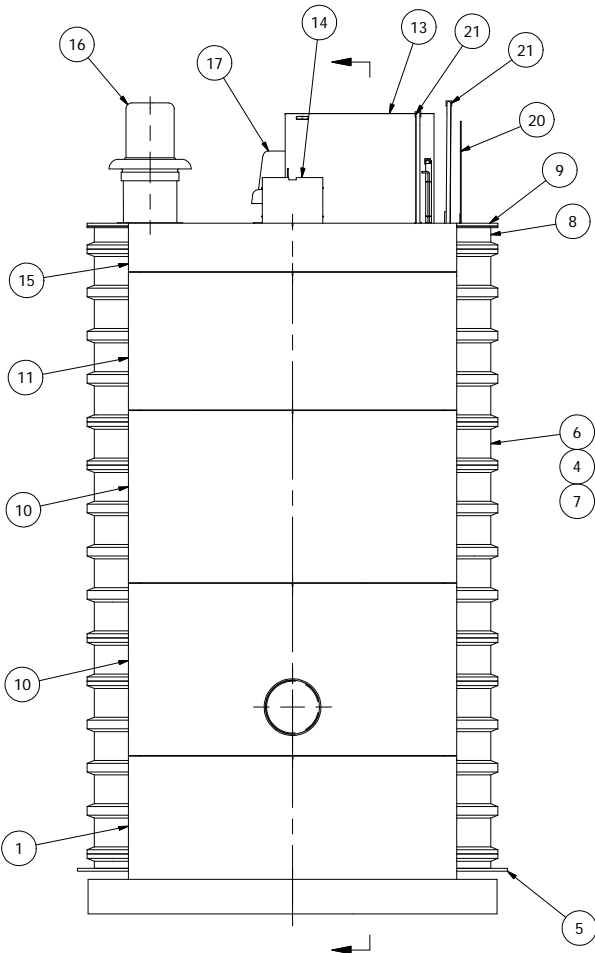


8" TO 10" FORCE MAIN - 500 TO 1900 GALLONS PER MINUTE

SECTION A-A
ROTATED 90° CW



Parts List			
ITEM	QTY	STOCK NUMBER	DESCRIPTION
1	1	10-6482	BASE - WW - 8ft - FLAT BASE - 142in DIA
2	1	11-REF	PIPE SLEEVE - 8in
3	3	11-REF	PIPE SLEEVE - 16in X
4	1	11-REF	BARREL - 12ft FIBERGLASS
5	1	11-REF	ANTI-FLOATATION FLANGE - 12ft
6	2	11-REF	BARREL - 12ft FIBERGLASS
7	3	11-REF	BARREL - 12ft FIBERGLASS
8	1	11-REF	BARREL FLANGE - 12ft FIBERGLASS
9	1	11-REF	TOP PLATE - 12ft
10	2	12-6574	BARREL - 8ft DIA X 5ft H
11	1	12-6575	BARREL - 8ft DIA X 4ft H
12	1	12-XXXX	GROUT RING
13	1	13-5361	HATCH - WW - 6ft PED - 54730 - 34 X 46
14	1	13-XXXX	HATCH - MUFFIN MONSTER - 18in X 24in
15	1	14-6483	TOP SLAB - WW - 8ft PED - DUPLEX
16	1	18-XXXX	INTAKE FAN
17	1	18-XXXX	EXHAUST FAN
18	1	18-XXXX	MUFFIN MONSTER LIFTING RAIL ASSEMBLY
19	1	18-XXXX	MUFFIN MONSTER
20	1	23-6508	HATCH - VV - 577 - PED - FDRND-0-39X67
21	2	25-XXXX	LADDER - 21ft-6in
22	1	25-XXXX	SUMP PUMP ASSEMBLY
23	2	30-XXXX	35HP PUMP
24	1	32-XXXX	CONCRETE RISER - NT3202 X 8 INCH HIGH
25	2	40-5398	PIPE - DI - 10in X 36in
26	4	41-5396	VALVE - PLUG - 10in - GEAR OP
27	2	41-XXXX	VALVE - SWING CHECK - 10in
28	4	42-5085	COUPLING - HYMAX 2000 - 10in
29	1	43-5180	KOR-N-SEAL - 24in CORE - 18in PIPE
30	2	43-5186	KOR-N-SEAL - 8in CORE - 1.70 THRU 4.80 PIPE
31	3	43-5188	KOR-N-SEAL - 16in CORE - 10in PIPE
32	2	43-XXXX	LINK SEAL - 16in X 10in
33	2	44-5265	REDUCER - DI - CONCENTRIC - 12in X 10in
34	2	44-XXXX	REDUCER - DI - CONCENTRIC - 10in X 8in
35	2	45-5213	SPOOL - FLG X PE - 10in X 48in - DI
36	2	45-5241	SPOOL - FLG X FLG - 8in X 6in - DI
37	2	45-XXXX	SPOOL - FLG X PE - 10in X 60in - DI
38	1	45-XXXX	SPOOL - FLG X FLG - 10in X 13.75in - DI
39	1	45-XXXX	SPOOL - FLG X PE - 10in X 72in - DI
40	1	45a-XXXX	SPOOL - FLG X FLG - 10in X 54in - DI
41	1	46-5204	TEE - DI - 10in - FLG X FLG
42	2	46-5211	ELBOW - DI - 10in - 90 DEG - FLG X FLG
43	2	46-5281	ELBOW - DI - 8in - 90 DEG - FLG X FLG
44	2	46-XXXX	ELBOW - DI - 10in - 90 DEG - FLG X FLARE
45	6	47-5222	GASKET - FLANGE - 8in X 1/8in
46	17	47-5252	GASKET - FLANGE - 10in X 1/8in
47	2	47-5267	GASKET - FLANGE - 12in X 1/8in
48	7	60-6117	MECH SWCH ENM-10 CABLE 43'

REV	DATE	DESCRIPTION	BY	AM
1	04/07/09	COMPONENT DRAWING		

VERIFY SCALE
BAR IS ONE INCH ON ORIGINAL DRAWING
IF NOT ONE INCH ON THIS SHEET, ADJUST SCALE ACCORDINGLY

0

DSN - AM
CKD -
DATE - 04/07/09

COMPONENT DRAWING

ROMTEC UTILITIES
18240 NORTH BANK ROAD
ROSEBURG, OREGON 97470
(541) 496-9678
FAX (541) 496-0804

NOTE: ALL DIMENSIONS AND ELEVATIONS SHOWN ARE NOMINAL DIMENSIONS. IT IS THE RESPONSIBILITY OF THE ON-SITE CONTRACTOR OR ROMTEC UTILITIES CUSTOMER (NOT ROMTEC UTILITIES) TO VERIFY THE ACCURACY OF ANY CRITICAL DIMENSIONS OR ELEVATIONS PRIOR TO SETTING OR INSTALLING ANY EQUIPMENT.

8' DIAMETER WET WELL
10" DISCHARGE PIPING
35HP PUMPS
12' DIA DRY WELL

ALL MATERIALS SHOWN ON THIS SHEET WILL BE SUPPLIED BY ROMTEC UTILITIES AND DELIVERED TO THE SITE AFTER THE HOLE HAS BEEN EXCAVATED AND SHORED. THE CONTRACTOR SHALL SUPPLY A CRANE OF SUFFICIENT SIZE TO LOWER ALL THE CONCRETE PIECES INTO THE HOLE SAFELY. THE CONTRACTOR SHALL INSTALL THE WET WELL (AND VALVE VAULT AND METERING VAULT IF APPLICABLE). ROMTEC UTILITIES WILL PROVIDE A REPRESENTATIVE FOR TECHNICAL ASSISTANCE ON THE DAY OF INSTALLATION TO ANSWER ANY QUESTIONS THAT MAY ARISE. THE CONTRACTOR IS RESPONSIBLE FOR ALL PLUMBING AND ELECTRICAL CONNECTIONS AND INSTALLATION. ITEMS NOTED AS "BY OTHERS" WILL BE PROVIDED AND INSTALLED BY THE CONTRACTOR. ROMTEC UTILITIES WILL NOT INSTALL ANY OF THE COMPONENTS SHOWN ON THIS PAGE.

© 2009 ROMTEC INC. ALL RIGHTS RESERVED. THESE PLANS AND DRAWINGS MAY NOT BE REPRODUCED, ADAPTED, OR FURTHER DISTRIBUTED, AND NO COMPONENTS MAY BE CONSTRUCTED FROM THESE PLANS, WITHOUT WRITTEN PERMISSION OF ROMTEC, INC.

ROMTEC Utilities, Inc.

LARGE FLOW

WET / DRY SYSTEM

SHEET
1 OF 1

JOB NUMBER
RMTC 0000