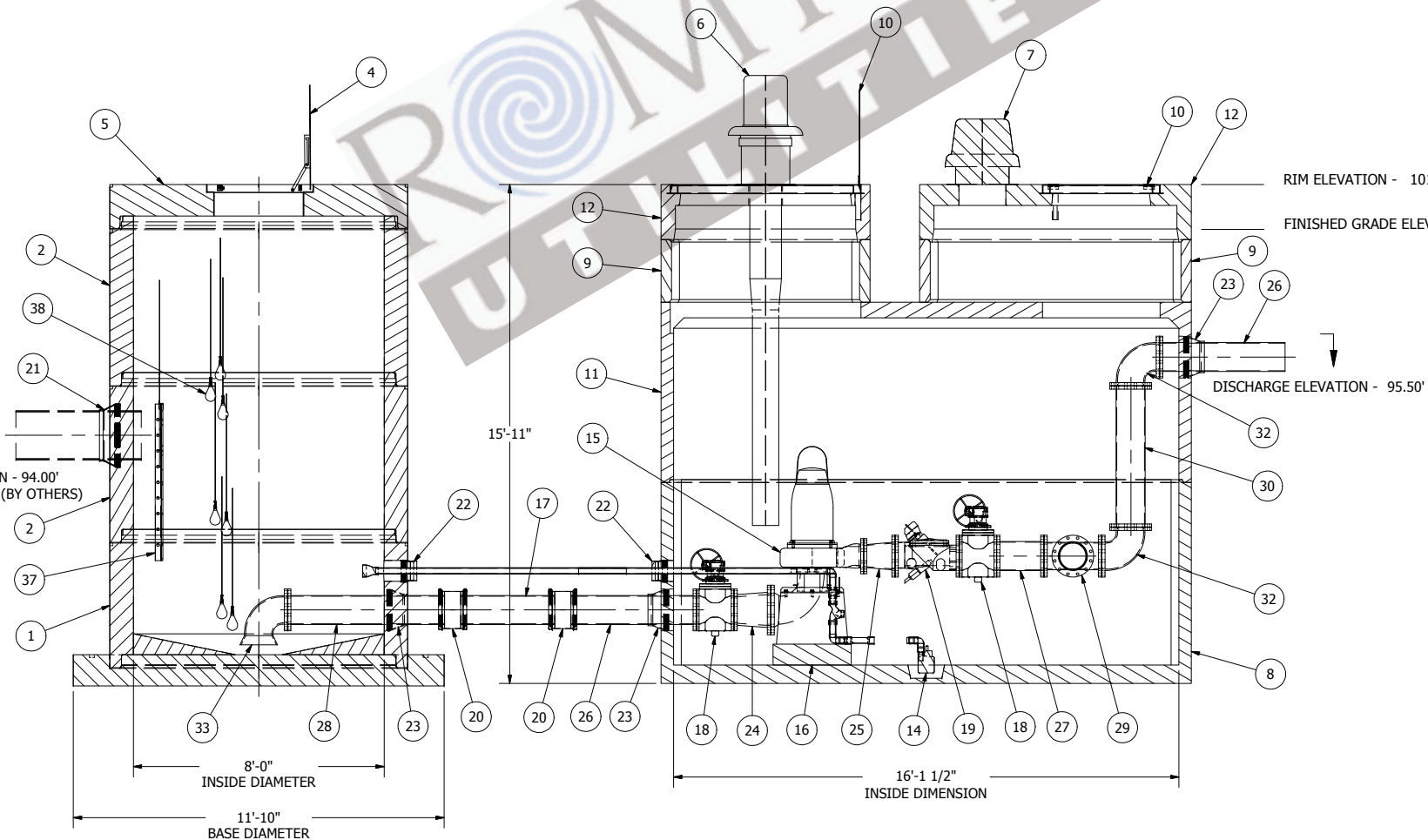
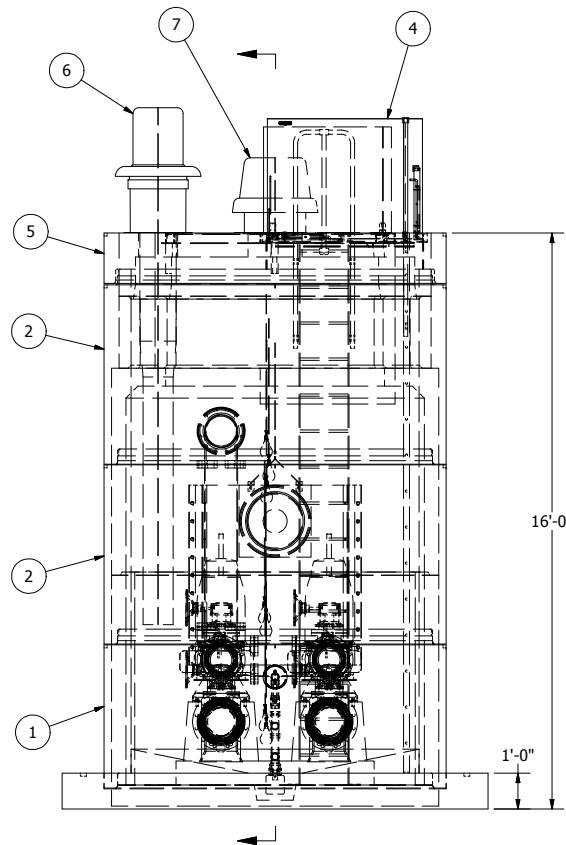


8" TO 10" FORCE MAIN - 500 TO 1900 GALLONS PER MINUTE



Parts List			
ITEM	QTY	STOCK NUMBER	DESCRIPTION
1	1	10-6482	BASE - WW - 8ft - FLAT BASE - 142in DIA
2	2	12-6574	BARREL - 8ft DIA X 5ft H
3	1	12-XXXX	GROUT RING
4	1	13-5361	HATCH - WW - 6ft PED - 54730 - 34 X 46
5	1	14-6483	TOP SLAB - WW - 8ft PED - DUPLEX
6	1	18-XXXX	INTAKE FAN
7	1	18-XXXX	EXHAUST FAN
8	1	20-5926	BASE - VV - 816
9	2	22-5013	RISER - VV - 687 - 2 FT
10	2	23-6508	HATCH - VV - 577 - PED - FDRND-0-39X67
11	1	24-XXXX	TOP SLAB - VV - 816 - PED - 5ft-9in
12	2	24-XXXX	TOP SLAB - VV - 687 - PED - 577 HATCH
13	2	25-XXXX	LADDER - 15ft
14	1	25-XXXX	SUMP PUMP ASSEMBLY
15	2	30-XXXX	35HP PUMP
16	1	32-XXXX	CONCRETE RISER - NT3202 X 8 INCH HIGH
17	2	40-5398	PIPE - DI - 10in X 36in
18	4	41-5396	VALVE - PLUG - 10in - GEAR OP
19	2	41-XXXX	VALVE - SWING CHECK - 10in
20	4	42-5085	COUPLING - HYMAX 2000 - 10in
21	1	43-5180	KOR-N-SEAL - 24in CORE - 18in PIPE
22	2	43-5186	KOR-N-SEAL - 8in CORE - 1.70 THRU 4.80 PIPE
23	5	43-5188	KOR-N-SEAL - 16in CORE - 10in PIPE
24	2	44-5265	REDUCER - DI - CONCENTRIC - 12in X 10in
25	2	44-XXXX	REDUCER - DI - CONCENTRIC - 10in X 8in
26	3	45-5213	SPOOL - FLG X PE - 10in X 48in - DI
27	2	45-5701	SPOOL - FLG X FLG - 10in X 18in - DI
28	2	45-XXXX	SPOOL - FLG X PE - 10in X 60in - DI
29	1	45-XXXX	SPOOL - FLG X FLG - 10in X 13.75in - DI
30	1	45a-XXXX	SPOOL - FLG X FLG - 10in X 54in - DI
31	1	46-5204	TEE - DI - 10in - FLG X FLG
32	3	46-5211	ELBOW - DI - 10in - 90 DEG - FLG X FLG
33	2	46-XXXX	ELBOW - DI - 10in - 90 DEG - FLG X FLARE
34	2	47-5222	GASKET - FLANGE - 8in X 1/8in
35	18	47-5252	GASKET - FLANGE - 10in X 1/8in
36	2	47-5267	GASKET - FLANGE - 12in X 1/8in
37	1	50-6045	HDPE - 4ft X 8ft X 1/2in - BLACK
38	7	60-6117	MECH SWCH ENM-10 CABLE 43'

REV	DESCRIPTION	DATE	BY	AM
1	COMPONENT DRAWING	03/23/09		

COMPONENT DRAWING

ROMTEC UTILITIES
 18240 NORTH BANK ROAD
 ROSEBURG, OREGON 97470
 (541) 496-9678
 FAX (541) 496-0804

NOTE: ALL DIMENSIONS AND ELEVATIONS SHOWN ARE NOMINAL DIMENSIONS. IT IS THE RESPONSIBILITY OF THE ON-SITE CONTRACTOR OR ROMTEC UTILITIES CUSTOMER (NOT ROMTEC UTILITIES) TO VERIFY THE ACCURACY OF ANY CRITICAL DIMENSIONS OR ELEVATIONS PRIOR TO SETTING OR INSTALLING ANY EQUIPMENT.

ROMTEC Utilities, Inc.
LARGE FLOW WET / DRY SYSTEM

© 2009 ROMTEC INC. ALL RIGHTS RESERVED. THESE PLANS AND DRAWINGS MAY NOT BE REPRODUCED, ADAPTED, OR FURTHER DISTRIBUTED, AND NO COMPONENTS MAY BE CONSTRUCTED FROM THESE PLANS, WITHOUT WRITTEN PERMISSION OF ROMTEC, INC.

8" DIAMETER WET WELL
10" DISCHARGE PIPING
35HP PUMPS
8' X 16' DRY WELL

ALL MATERIALS SHOWN ON THIS SHEET WILL BE SUPPLIED BY ROMTEC UTILITIES AND DELIVERED TO THE SITE AFTER THE HOLE HAS BEEN EXCAVATED AND SHORED. THE CONTRACTOR SHALL SUPPLY A CRANE OF SUFFICIENT SIZE TO LOWER ALL THE CONCRETE PIECES INTO THE HOLE SAFELY. THE CONTRACTOR SHALL INSTALL THE WET WELL (AND VALVE VAULT AND METERING VAULT IF APPLICABLE). ROMTEC UTILITIES WILL PROVIDE A REPRESENTATIVE FOR TECHNICAL ASSISTANCE ON THE DAY OF INSTALLATION TO ANSWER ANY QUESTIONS THAT MAY ARISE. THE CONTRACTOR IS RESPONSIBLE FOR ALL PLUMBING AND ELECTRICAL CONNECTIONS AND INSTALLATION. ITEMS NOTED AS "BY OTHERS" WILL BE PROVIDED AND INSTALLED BY THE CONTRACTOR. ROMTEC UTILITIES WILL NOT INSTALL ANY OF THE COMPONENTS SHOWN ON THIS PAGE.