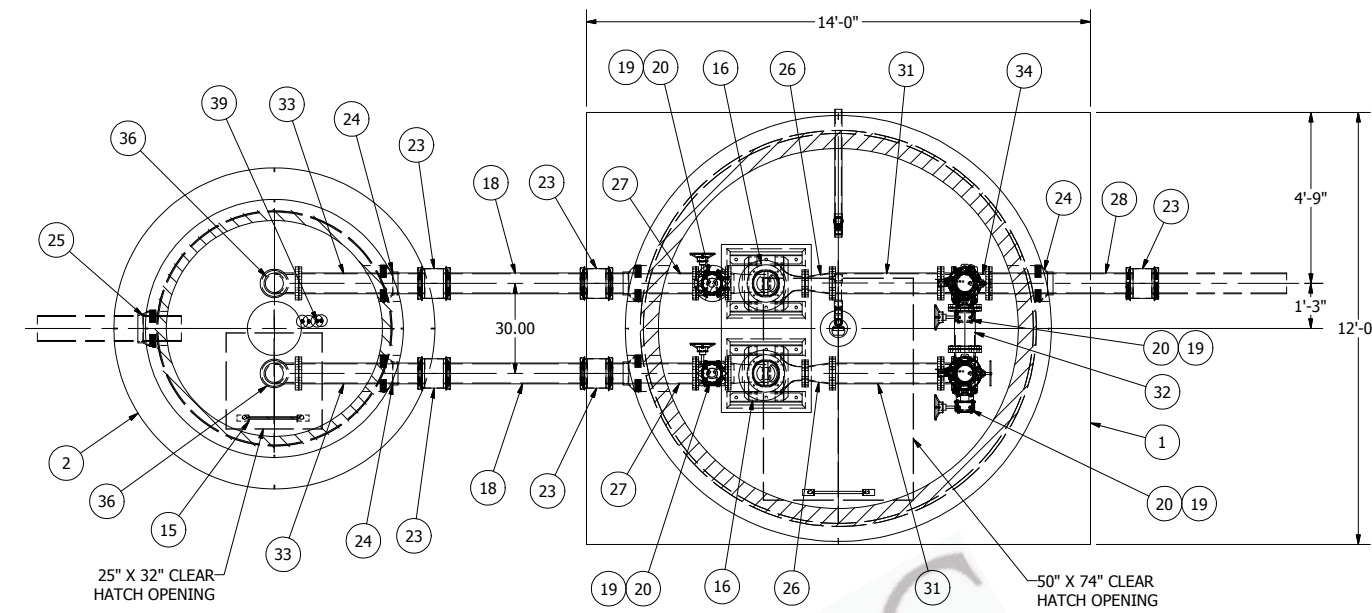
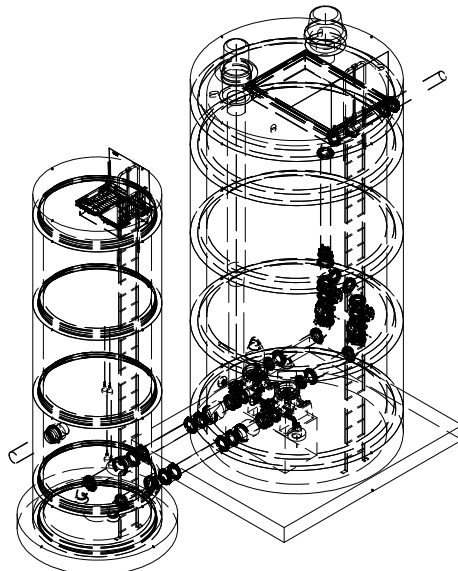
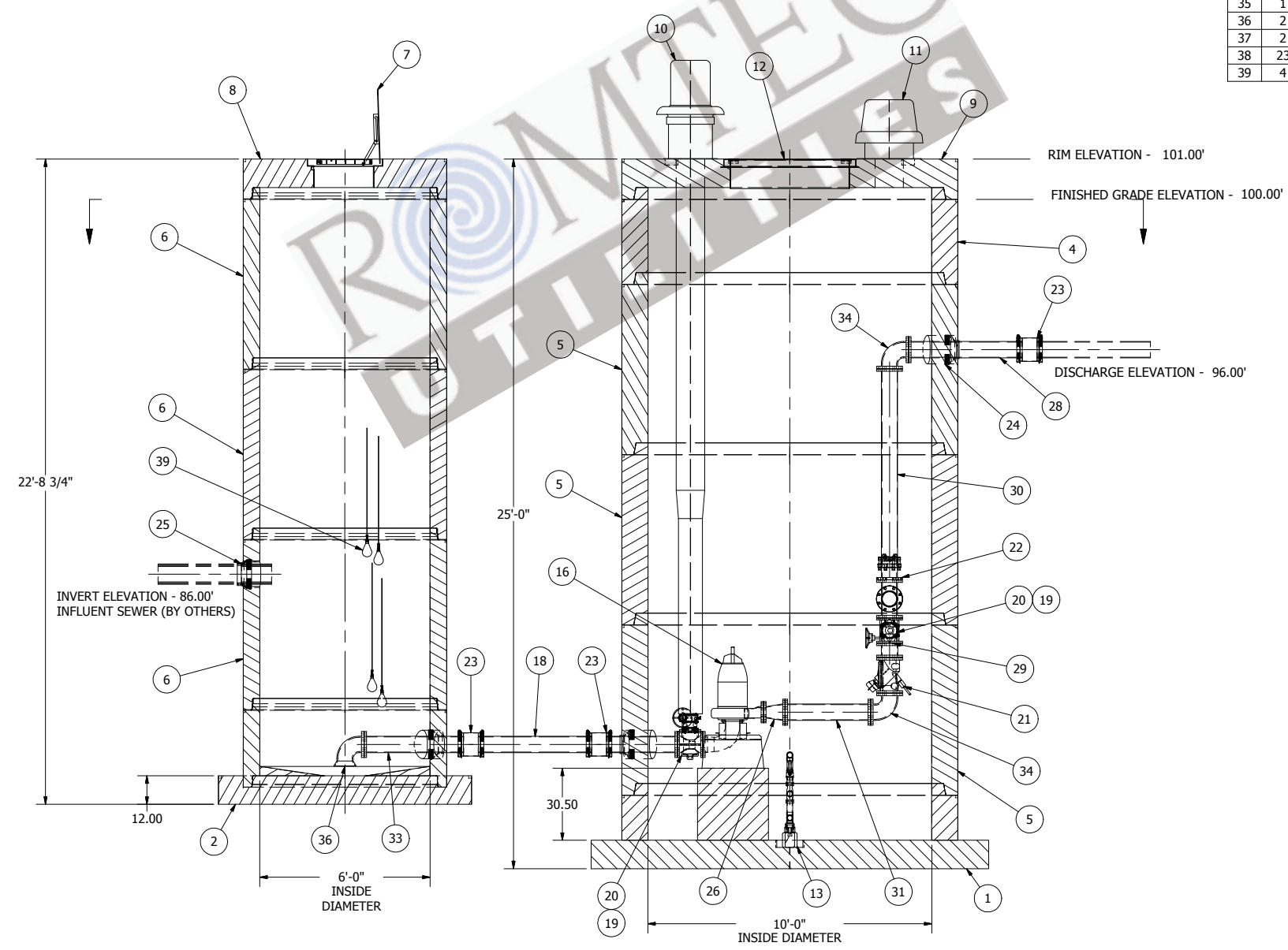
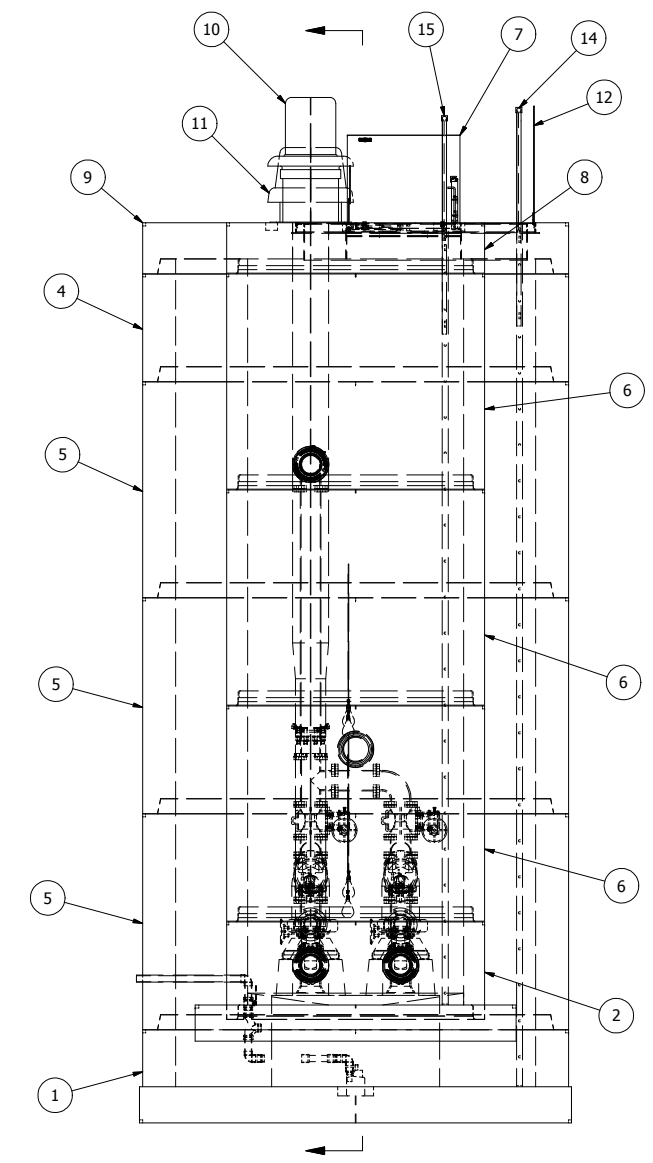


© 2009 ROMTEC INC. ALL RIGHTS RESERVED. THESE PLANS AND DRAWINGS MAY NOT BE REPRODUCED, ADAPTED, OR FURTHER DISTRIBUTED, AND NO COMPONENTS MAY BE CONSTRUCTED FROM THESE PLANS, WITHOUT WRITTEN PERMISSION OF ROMTEC, INC.

Parts List			
ITEM	QTY	STOCK NUMBER	DESCRIPTION
1	1	10-5168	BASE - WW - 10ft - RU FLAT BASE - 12ft X 14ft
2	1	10-6481	BASE - WW - 6ft - FLAT BASE - 107in DIA
3	1	10-XXXX	GROUT RING - 6ft
4	1	12-5903	BARREL - 10ft DIA X 3ft H
5	3	12-5906	BARREL - 10ft DIA X 6ft H
6	3	12-6001	BARREL - 6ft DIA X 6ft H
7	1	13-6212	HATCH - WW - 4ft PED - 51364 - 25 X 32
8	1	14-XXXX	TOP SLAB - WW - 6ft PED - 4ft HATCH
9	1	14-XXXX	TOP SLAB - WET/DRY - PED - 687 HATCH
10	1	18-XXXX	INTAKE FAN
11	1	18-XXXX	EXHAUST FAN
12	1	23-6087	HATCH - VV - 687 PED - FDRND-O-50X74
13	1	25-XXXX	SUMP PUMP ASSEMBLY
14	1	25-XXXX	LADDER - 24ft
15	1	25-XXXX	LADDER - 21ft-6in
16	2	30-XXXX	15HP PUMPS
17	1	30-XXXX	RISER - PUMP
18	2	40-6548	PIPE - DI - 6in X 4ft
19	4	41-6564	HANDWHEEL - 8in
20	4	41-6567	VALVE - PLUG - 6in - WITH OP NUT
21	2	41-6569	VALVE - SWING CHECK - 6in - 506A
22	1	42-5247	COUPLING - ROMAC - RFCA - 6in FBEC
23	5	42-6075	COUPLING - HYMAX 2000 - 6in
24	5	43-6113	KOR-N-SEAL - 12in CORE - 6in PIPE
25	1	43-6135	KOR-N-SEAL - 12in CORE - 8in PIPE
26	2	44-6617	REDUCER - DI - CONCENTRIC - 6in X 4in
27	2	45-5209	SPOOL - FLG X PE - 6in X 30in - DI
28	1	45-6510	SPOOL - FLG X PE - 6in X 48in - DI
29	2	45-6513	SPOOL - FLG X FLG - 6in X 6in - DI
30	1	45-XXXX	SPOOL - FLG X PE - 6in X 84in - DI
31	2	45-XXXX	SPOOL - FLG X FLG - 6in X 36in - DI
32	1	45-XXXX	SPOOL - FLG X FLG - 6in X 13.75in - DI
33	2	45-XXXX	SPOOL - FLG X PE - 6in X 42in - DI
34	4	46-6521	ELBOW - DI - 6in - 90 DEG - FLG X FLG
35	1	46-6525	TEE - DI - 6in - FLG X FLG
36	2	46-XXXX	ELBOW - DI - 6in - 90 DEG - FLG X FLARE
37	2	47-6546	GASKET - FLANGE - 4in X 1/8in
38	23	47-6547	GASKET - FLANGE - 6in X 1/8in
39	4	60-6117	MECH SWCH ENM-10 CABLE 43'



**6" TO 8" FORCE MAIN - 300 TO 800 GALLONS PER MINUTE**



NOTE: ALL DIMENSIONS AND ELEVATIONS SHOWN ARE NOMINAL DIMENSIONS. IT IS THE RESPONSIBILITY OF THE ON-SITE CONTRACTOR OR ROMTEC UTILITIES CUSTOMER (NOT ROMTEC UTILITIES) TO VERIFY THE ACCURACY OF ANY CRITICAL DIMENSIONS OR ELEVATIONS PRIOR TO SETTING OR INSTALLING ANY EQUIPMENT.

**6' DIAMETER WET WELL  
6" DISCHARGE PIPING  
15HP PUMPS  
10' DIA DRY WELL**

ALL MATERIALS SHOWN ON THIS SHEET WILL BE SUPPLIED BY ROMTEC UTILITIES AND DELIVERED TO THE SITE AFTER THE HOLE HAS BEEN EXCAVATED AND SHORED. THE CONTRACTOR SHALL SUPPLY A CRANE OF SUFFICIENT SIZE TO LOWER ALL THE CONCRETE PIECES INTO THE HOLE SAFELY. THE CONTRACTOR SHALL INSTALL THE WET WELL (AND VALVE VAULT AND METERING VAULT IF APPLICABLE). ROMTEC UTILITIES WILL PROVIDE A REPRESENTATIVE FOR TECHNICAL ASSISTANCE ON THE DAY OF INSTALLATION TO ANSWER ANY QUESTIONS THAT MAY ARISE. THE CONTRACTOR IS RESPONSIBLE FOR ALL PLUMBING AND ELECTRICAL CONNECTIONS AND INSTALLATION. ITEMS NOTED AS "BY OTHERS" WILL BE PROVIDED AND INSTALLED BY THE CONTRACTOR. ROMTEC UTILITIES WILL NOT INSTALL ANY OF THE COMPONENTS SHOWN ON THIS PAGE.

REV	DATE	DESCRIPTION	BY
1		COMPONENT DRAWING	

**COMPONENT DRAWING**

**ROMTEC UTILITIES**  
18240 NORTH BANK ROAD  
ROSEBURG, OREGON 97470  
(541) 496-9678  
FAX (541) 496-0804

ROMTEC Utilities, Inc.  
**MEDIUM FLOW  
WET / DRY SYSTEM**

SHEET  
**1 OF 1**  
JOB NUMBER  
**RMTC  
0000**