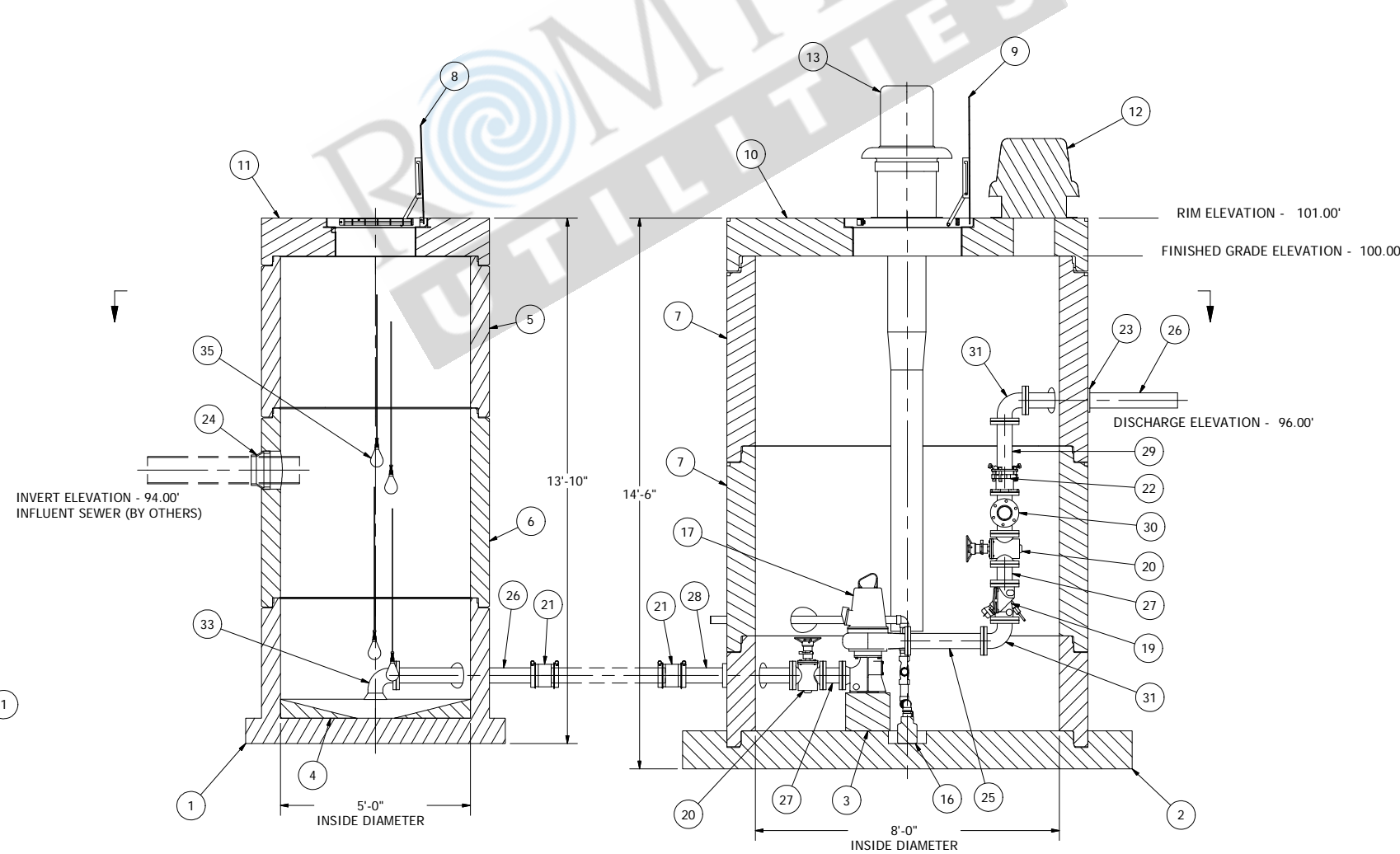
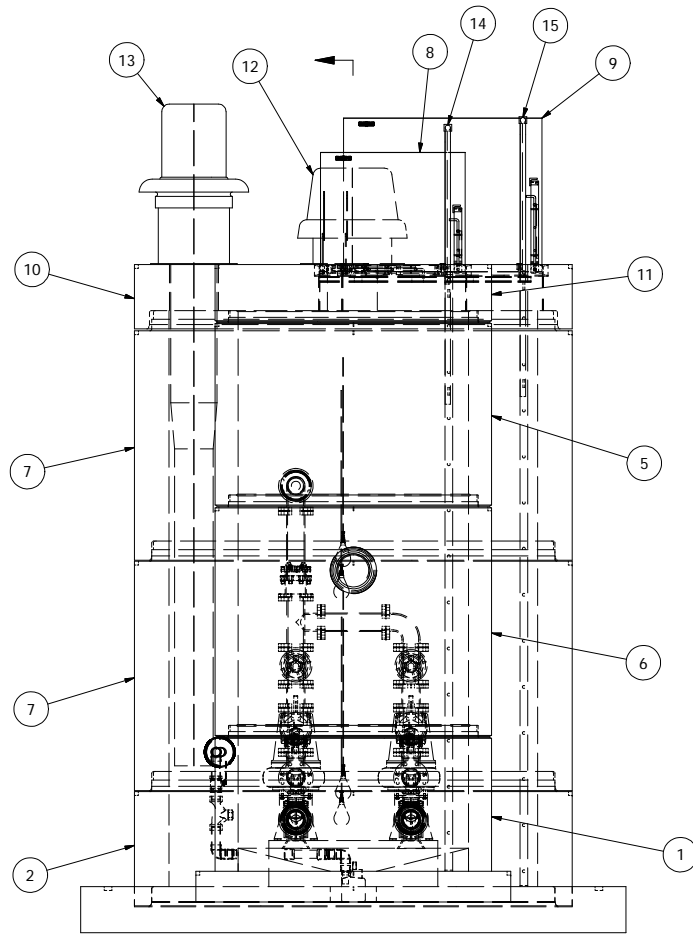


| Parts List |     |              |  |
|------------|-----|--------------|--|
| ITEM       | QTY | STOCK NUMBER | DESCRIPTION  |
| 1          | 1   | 10-6209      | BASE - WW - 5ft - FLAT BASE - 82in DIA               |
| 2          | 1   | 10-6482      | BASE - WW - 8ft - FLAT BASE - 142in DIA              |
| 3          | 1   | 10-XXXX      | CONCRETE RISER - PUMP SUPPORT                        |
| 4          | 1   | 10-XXXX      | GROUT RING - 5ft - DRY SYSTEM                        |
| 5          | 1   | 12-6468      | BARREL - 5ft DIA X 4ft H                             |
| 6          | 1   | 12-6469      | BARREL - 5ft DIA X 5ft H                             |
| 7          | 2   | 12-6574      | BARREL - 8ft DIA X 5ft H                             |
| 8          | 1   | 13-5341      | HATCH - WW - 4ft PED - 54731 - 25 X 32               |
| 9          | 1   | 13-5361      | HATCH - WW - 6ft PED - 54730 - 34 X 46               |
| 10         | 1   | 14-6483      | TOP SLAB - WW - 8ft PED - DUPLEX                     |
| 11         | 1   | 14-XXXX      | TOP SLAB - WW - 5ft PED WITH 4ft TOP - 54731 - BLANK |
| 12         | 1   | 18-XXXX      | EXHAUST FAN  |
| 13         | 1   | 18-XXXX      | INTAKE FAN   |
| 14         | 1   | 25-XXXX      | LADDER - 13ft  |
| 15         | 1   | 25-XXXX      | LADDER - 13ft-6in                                    |
| 16         | 1   | 25-XXXX      | SUMP PUMP ASSEMBLY                                   |
| 17         | 2   | 30-5500      | 7.4HP PUMPS  |
| 18         | 4   | 41-6564      | HANDWHEEL - 8in                                      |
| 19         | 2   | 41-6565      | VALVE - SWING CHECK - 4in                            |
| 20         | 4   | 41-6583      | VALVE - PLUG - 4in - WITH OP NUT                     |
| 21         | 4   | 42-6034      | COUPLING - HYMAX 2000 - 4in                          |
| 22         | 1   | 42-6073      | COUPLING - ROMAC - RFCA - 4in FBEC                   |
| 23         | 6   | 43-5186      | KOR-N-SEAL - 8in CORE -1.70 THRU 4.80 PIPE           |
| 24         | 1   | 43-6135      | KOR-N-SEAL - 12in CORE - 8in PIPE                    |
| 25         | 2   | 45-5046      | SPOOL - FLG X FLG - 4in X 24in - DI                  |
| 26         | 3   | 45-6509      | SPOOL: 4" X 48" DI FLG X PE                          |
| 27         | 4   | 45-6512      | SPOOL: 4"X6" DI FLG X FLG                            |
| 28         | 2   | 45-6541      | SPOOL: 4" X 36" DI FLG X PE                          |
| 29         | 1   | 45-6554      | SPOOL: 4" X 1'6" DI FLG X PE                         |
| 30         | 1   | 45-XXXX      | SPOOL - FLG X FLG - 4in X 16.75in - DI               |
| 31         | 4   | 46-6520      | ELBOW - DI - 4in - 90 DEG - FLG X FLG                |
| 32         | 1   | 46-6524      | TEE - DI - 4in - FLG X FLG                           |
| 33         | 2   | 46-XXXX      | ELBOW - DI - 4in - 90 DEG - FLG X FLARE              |
| 34         | 25  | 47-6546      | GASKET - FLANGE - 4in X 1/8in                        |
| 35         | 4   | 60-6117      | MECH SWCH ENM-10 CABLE 43'                           |

3" TO 4" FORCE MAIN - 100 TO 400 GALLONS PER MINUTE



NOTE: ALL DIMENSIONS AND ELEVATIONS SHOWN ARE NOMINAL DIMENSIONS. IT IS THE RESPONSIBILITY OF THE ON-SITE CONTRACTOR OR ROMTEC UTILITIES CUSTOMER (NOT ROMTEC UTILITIES) TO VERIFY THE ACCURACY OF ANY CRITICAL DIMENSIONS OR ELEVATIONS PRIOR TO SETTING OR INSTALLING ANY EQUIPMENT.

5' DIAMETER WET WELL  
4" DISCHARGE PIPING  
7.4HP PUMPS  
8' DIA DRY WELL

ALL MATERIALS SHOWN ON THIS SHEET WILL BE SUPPLIED BY ROMTEC UTILITIES AND DELIVERED TO THE SITE AFTER THE HOLE HAS BEEN EXCAVATED AND SHORED. THE CONTRACTOR SHALL SUPPLY A CRANE OF SUFFICIENT SIZE TO LOWER ALL THE CONCRETE PIECES INTO THE HOLE SAFELY. THE CONTRACTOR SHALL INSTALL THE WET WELL (AND VALVE VAULT AND METERING VAULT IF APPLICABLE). ROMTEC UTILITIES WILL PROVIDE A REPRESENTATIVE FOR TECHNICAL ASSISTANCE ON THE DAY OF INSTALLATION TO ANSWER ANY QUESTIONS THAT MAY ARISE. THE CONTRACTOR IS RESPONSIBLE FOR ALL PLUMBING AND ELECTRICAL CONNECTIONS AND INSTALLATION. ITEMS NOTED AS "BY OTHERS" WILL BE PROVIDED AND INSTALLED BY THE CONTRACTOR. ROMTEC UTILITIES WILL NOT INSTALL ANY OF THE COMPONENTS SHOWN ON THIS PAGE.

© 2009 ROMTEC INC. ALL RIGHTS RESERVED. THESE PLANS AND DRAWINGS MAY NOT BE REPRODUCED, ADAPTED, OR FURTHER DISTRIBUTED, AND NO COMPONENTS MAY BE CONSTRUCTED FROM THESE PLANS, WITHOUT WRITTEN PERMISSION OF ROMTEC, INC.

| REV | DESCRIPTION       | DATE | BY |
|-----|-------------------|------|----|
| 1   | COMPONENT DRAWING |      |    |

COMPONENT DRAWING

**ROMTEC UTILITIES**  
18240 NORTH BANK ROAD  
ROSEBURG, OREGON 97470  
(541) 496-9678  
FAX (541) 496-0804

ROMTEC Utilities, Inc.  
SMALL FLOW  
WET / DRY SYSTEM

SHEET  
1 OF 1  
JOB NUMBER  
RMTC  
0000