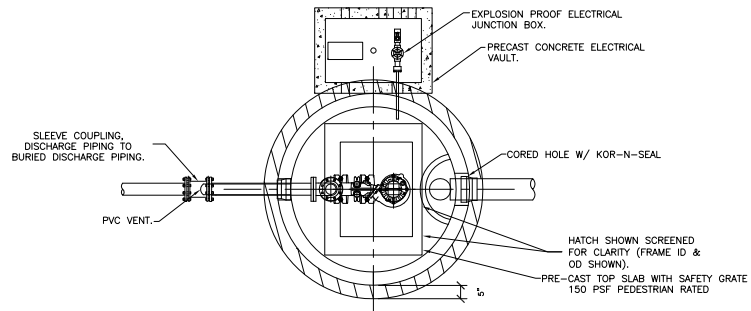


STANDARD STORMWATER

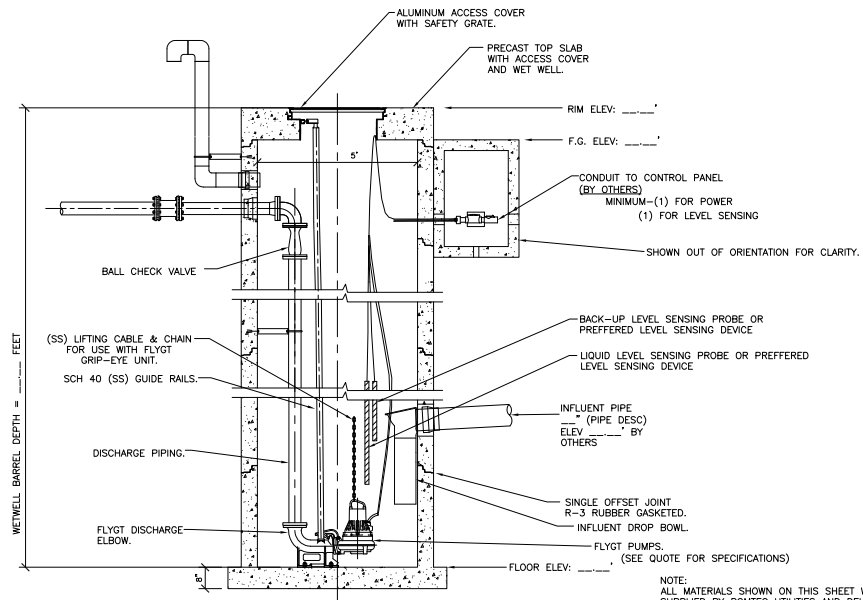
SIMPLEX- 5' WET WELL

NOTE: WETWELL TOP SLAB IS PEDESTRIAN RATED.



PLAN VIEW

N.T.S.



5' DIAMETER WETWELL
SECTIONAL VIEW

N.T.S.

NOTE:
ALL MATERIALS SHOWN ON THIS SHEET WILL BE SUPPLIED BY ROMTEC UTILITIES AND DELIVERED TO THE SITE AFTER THE HOLE HAS BEEN EXCAVATED AND SHORED. THE CONTRACTOR WILL SUPPLY A CRANE OF SUFFICIENT SIZE TO LOWER ALL THE CONCRETE PIECES INTO THE HOLE SAFELY. THE CONTRACTOR WILL INSTALL THE WET WELL VALVE VAULT AND METERING VAULT. ROMTEC UTILITIES WILL PROVIDE A REPRESENTATIVE FOR TECHNICAL ASSISTANCE ON THE DAY OF INSTALLATION TO ANSWER ANY QUESTIONS THAT MAY ARISE. THE CONTRACTOR IS RESPONSIBLE FOR ALL PLUMBING AND ELECTRICAL CONNECTIONS AND INSTALLATION. ITEMS NOTED AS "(BY OTHERS)" WILL BE PROVIDED AND INSTALLED BY THE CONTRACTOR. ROMTEC UTILITIES WILL NOT INSTALL ANY OF THE COMPONENTS SHOWN ON THIS PAGE.

<p>VERIFY SCALE SCALE IS ONE INCH = 10 FEET IF ANY PART OF THIS DRAWING IS TO BE REPRODUCED, THE SCALE SHALL BE INDICATED THEREON.</p>	
DRN. --	DATE
DESCRIPTION	NO. OF REVISIONS
BY	
<p>ROMTEC UTILITIES 18240 NORTH BANK ROAD ROSEBURG, OR 97470 (541) 496-9678 FAX (541) 496-0804</p>	
<p>SMALL FLOW 3 - 4 INCH FORCE MAIN 5' - SOLIDS HANDLING PUMP LIFT STATION DRAWING</p>	
<p>SHEET 1 OF 1 JOB NUMBER RMT. 0000</p>	