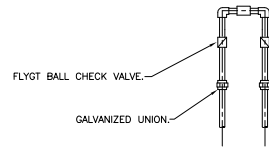
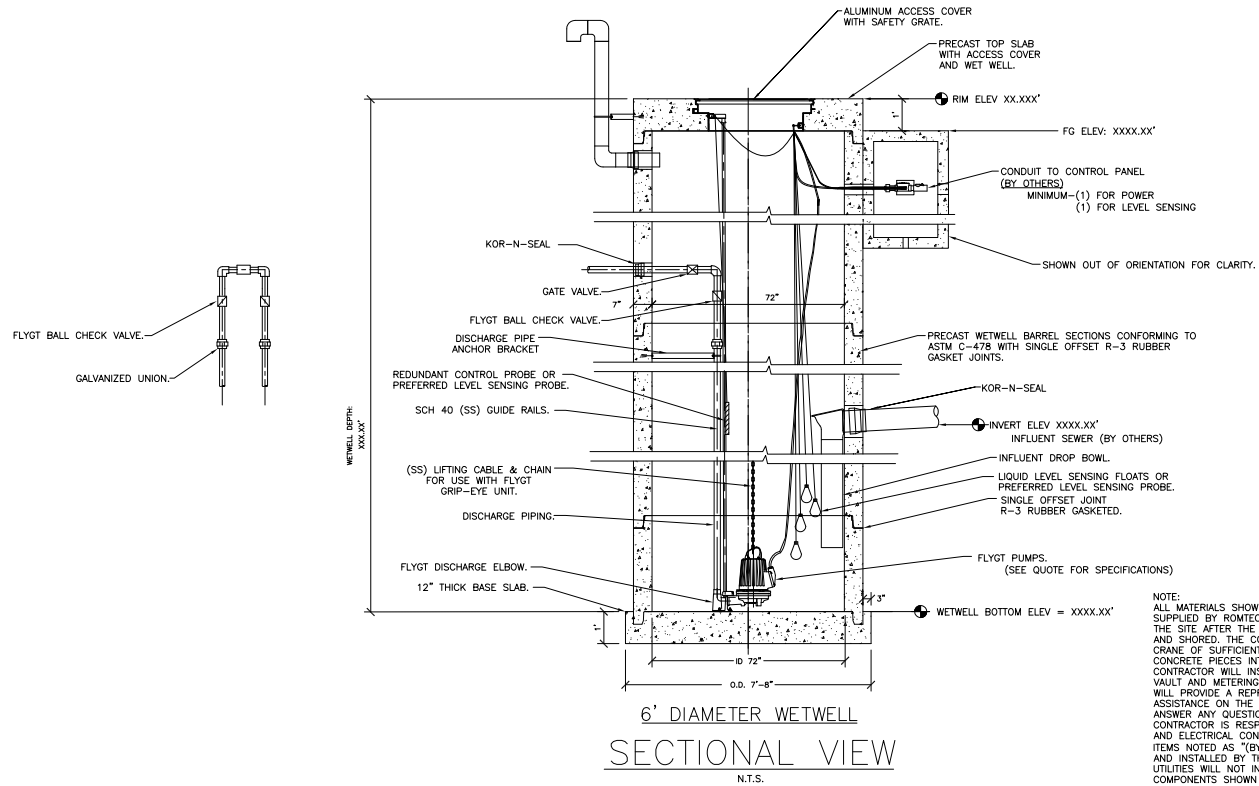
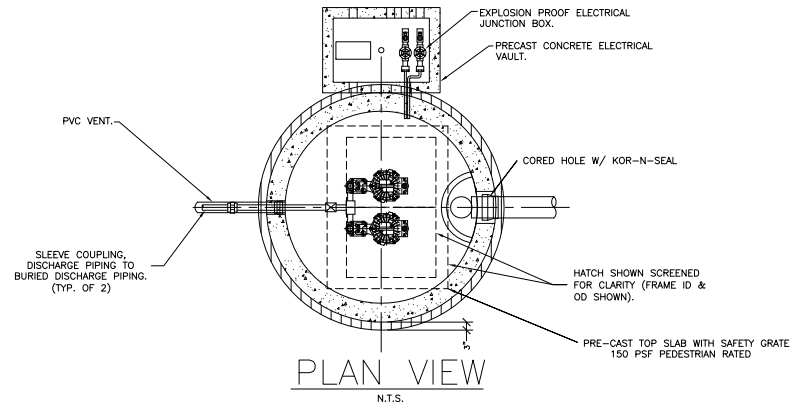


# STANDARD WASTEWATER

# DUPLEX- 6' WET WELL

NOTE: WETWELL TOP SLAB IS PEDESTRIAN RATED.



NOTE:  
 ALL MATERIALS SHOWN ON THIS SHEET WILL BE SUPPLIED BY ROMTEC UTILITIES AND DELIVERED TO THE SITE AFTER THE HOLE HAS BEEN EXCAVATED AND SHORED. THE CONTRACTOR WILL SUPPLY A CRANE OF SUFFICIENT SIZE TO LOWER ALL THE CONCRETE PIECES INTO THE HOLE SAFELY. THE CONTRACTOR WILL INSTALL THE WET WELL, VALVE VAULT AND METERING VAULT. ROMTEC UTILITIES WILL PROVIDE A REPRESENTATIVE FOR TECHNICAL ASSISTANCE ON THE DAY OF INSTALLATION TO ANSWER ANY QUESTIONS THAT MAY ARISE. THE CONTRACTOR IS RESPONSIBLE FOR ALL PLUMBING AND ELECTRICAL CONNECTIONS AND INSTALLATION. ITEMS NOTED AS "(BY OTHERS)" WILL BE PROVIDED AND INSTALLED BY THE CONTRACTOR. ROMTEC UTILITIES WILL NOT INSTALL ANY OF THE COMPONENTS SHOWN ON THIS PAGE.

NO.	DATE	DESCRIPTION	REVISIONS
1	11-30-07	DRAWING	AD
2	1-7-08	UPDATE	AD

VERIFY SCALE  
 SHALL BE ONE AND ONE EIGHTH (1 1/8") UNLESS OTHERWISE SPECIFIED  
 # PER UNIT OF WORK OR SCALE PROPORTIONALLY  
 ESN. AD  
 DRN. AD  
 DATE: NOV. 2007

**ROMTEC UTILITIES**  
 18240 NORTH BANK ROAD  
 ROSEBURG, OR 97470  
 (541) 496-9678  
 FAX (541) 496-0804

3" PRESSURE LINE  
 LARGE FLOW  
 6' - GRINDER PUMP  
 LIFT STATION DRAWING

SHEET  
 1 OF 1  
 JOB NUMBER  
 RMTc. 0000