

CUSTOM INDUSTRIAL

DUPLEX-8' X 14.5' VALVE VAULT

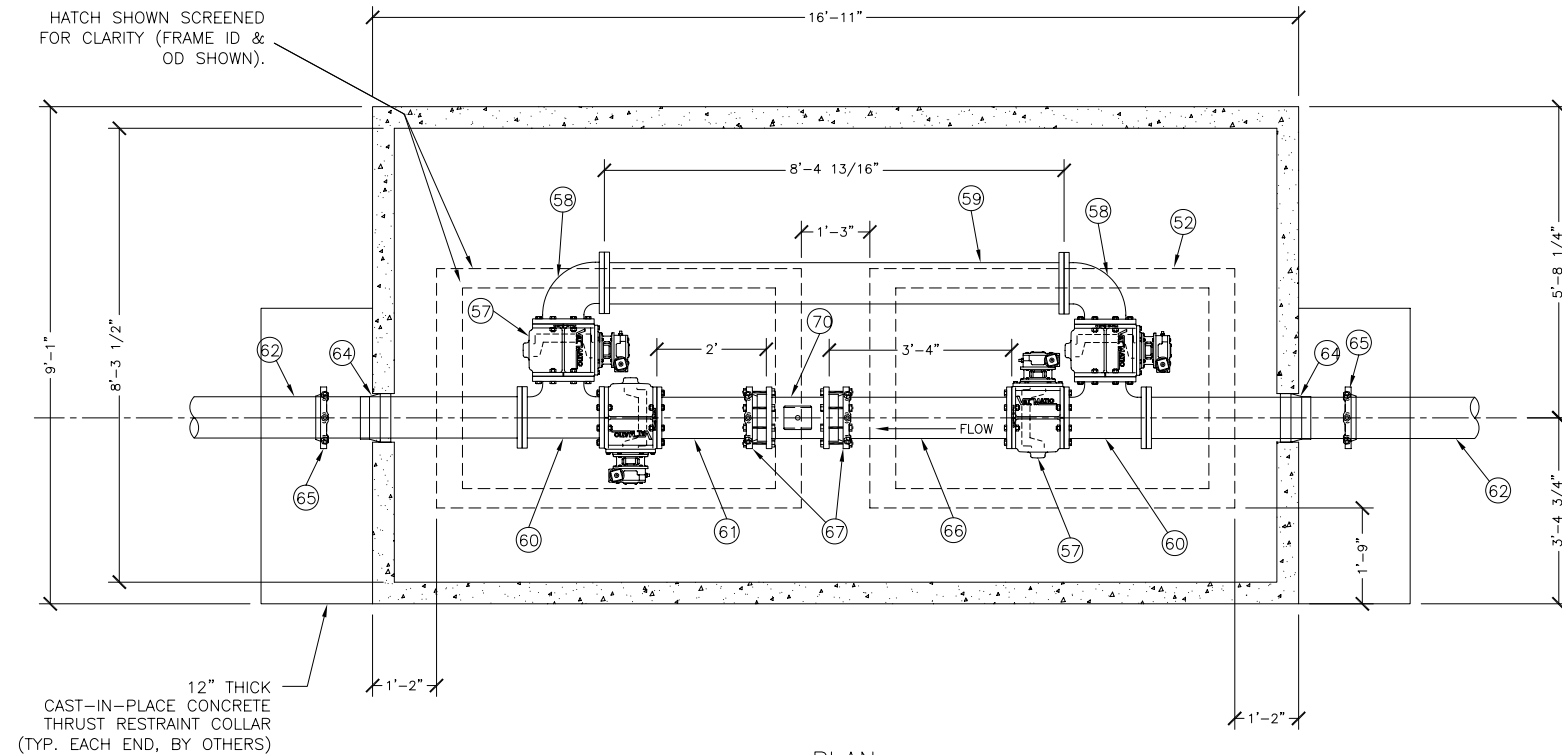
WET WELL, VALVE VAULT, METER VAULT, ELECTRICAL CONTROLS,
SCADA AND CONTROL SHELTER

NOTE: VAULT TOP SLAB IS H-20 OCCASIONAL TRAFFIC RATED.

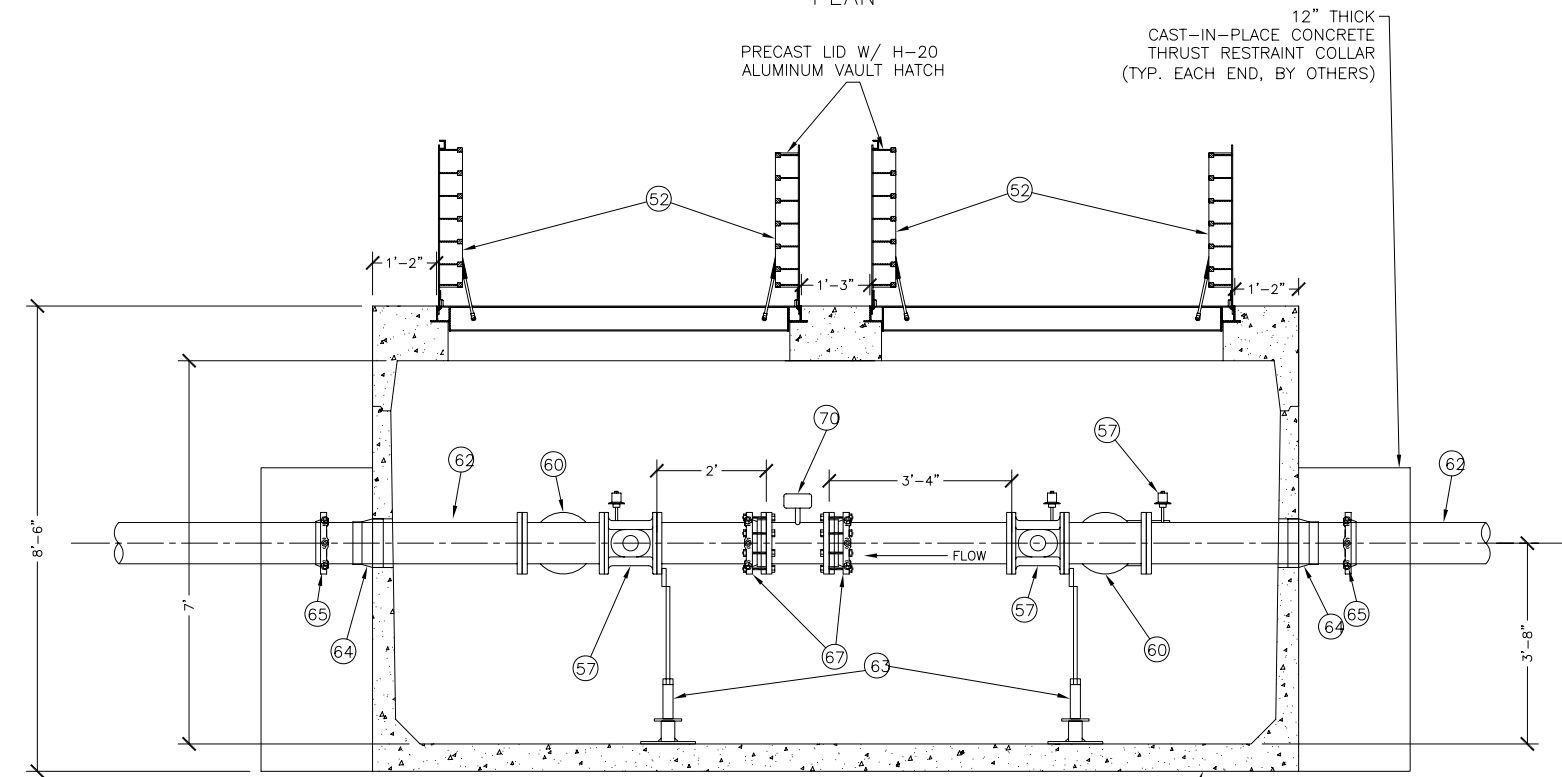
VAULT DESIGN NOTES:

1. ALL PIPING & VALVES WITHIN VAULT ARE 8 INCH DIAMETER.
2. HATCH DESIGN LOADS: H - 20 OCCASIONALLY LOADED
3. VALVES AND VAULT PIPING SYSTEM FACTORY TESTED AFTER ASSEMBLY.

- (51) NOT USED.
- (52) FLYGT ALUMINUM ACCESS HATCH PRECAST INTO VAULT TOP SLAB.
- (53) NOT USED.
- (54) NOT USED.
- (55) NOT USED.
- (56) NOT USED.
- (57) 8" ECCENTRIC PLUG VALVE. VAL-MATIC MODEL 5808R/8A02. PROVIDE WORM GEAR ACTUATOR W/ 2-INCH OPERATING NUT ORIENTED AS SHOWN. INSTALL WITH SHAFT HORIZONTAL AND PLUG UP WHEN OPEN.
- (58) D.I. 90° BEND (FLGXFLG).
- (59) 8" DI PIPE SPOOL (FLG X FLG).
- (60) DI TEE (FLGXFLG).
- (61) 8" DI PIPE SPOOL X 23" (FLG X PE).
- (62) 8" DI PIPE SPOOL (FLG x PE)
- (63) ADJUSTABLE PIPE SUPPORT, STANDON (TYP OF 4).
- (64) 8" VAULT SEAL, KOR-N-SEAL (TYP OF 2).
- (65) 8" RETAINER GLAND CENTERED IN THRUST COLLAR, MEGALUG (TYP OF 2).
- (66) 8" DI PIPE SPOOL X 39" (FLG X PE)
- (67) 8" MEGAFLANGE ADAPTER
- (68) NOT USED.
- (69) NOT USED.
- (70) 8" ELECTROMAGNETIC FLOWMETER, SIEMENS SITRANS FM MAGFLOW, MAG 5100W.



PLAN



PROFILE
8" METERING
VALVE VAULT

SCALE: 1/2" = 1'-0"

NO.	DATE	DESCRIPTION	BY

VERIFY SCALE
BAR IS ONE INCH ON
ORIGINAL DRAWING
IF NOT ONE INCH ON
SCALE, ACCORDINGLY
0 1"

DSN.
DRN.
CKD.
DATE:

ROMTEC UTILITIES
18240 NORTH BANK ROAD
ROSEBURG, OR 97470
(541) - 496 - 3541
FAX (541) - 496 - 0803

ROMTEC UTILITIES
8" METERING VAULT
FLOWMETER

