

WET WELL, INTERNAL HEADER ASSEMBLY, ELECTRICAL CONTROLS

SOUTHERN CALIFORNIA EDISON DRAWING NUMBER
 00159-A OIL-WATER-SEPARATOR-LH-DWG - 1 - 2
 SCEP-0-DV-154301-
 OIL-WATER-SEPARATOR-LH-DWG-S001-R2(1)

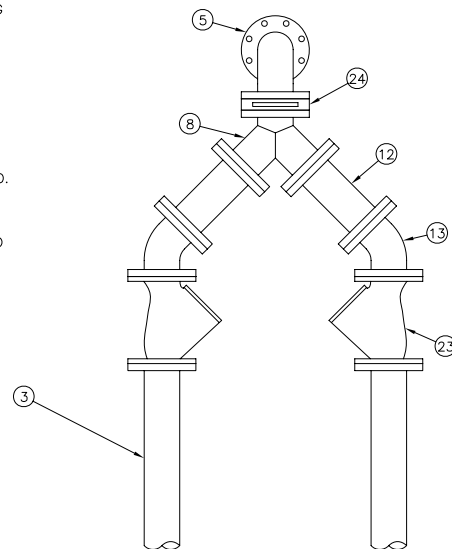
TAG # 2-EQ-521-SKD-0001
 OIL WATER SEPARATOR SUMP
 & PUMP CONTAINMENT

NOTE:
 ALL MATERIALS SHOWN ON THIS SHEET WILL BE SUPPLIED BY ROMTEC UTILITIES AND DELIVERED TO THE SITE AFTER THE HOLE HAS BEEN EXCAVATED AND SHORED. THE CONTRACTOR WILL SUPPLY A CRANE OF SUFFICIENT SIZE TO LOWER ALL THE CONCRETE PIECES INTO THE HOLE SAFELY. THE CONTRACTOR WILL INSTALL THE WET WELL, VALVE VAULT AND METERING VAULT. ROMTEC UTILITIES WILL PROVIDE A REPRESENTATIVE FOR

FOR TECHNICAL ADVICE ON THE DAY OF INSTALLATION TO ANSWER ANY QUESTIONS THAT MAY ARISE. THE CONTRACTOR IS RESPONSIBLE FOR ALL PLUMBING AND ELECTRICAL CONNECTIONS AND INSTALLATION. ITEMS NOT AS "(BY OTHERS)" WILL BE PROVIDED AND INSTALLED BY THE CONTRACTOR. ROMTEC UTILITIES WILL NOT INSTALL ANY OF THE COMPONENTS SHOWN ON THIS PAGE.

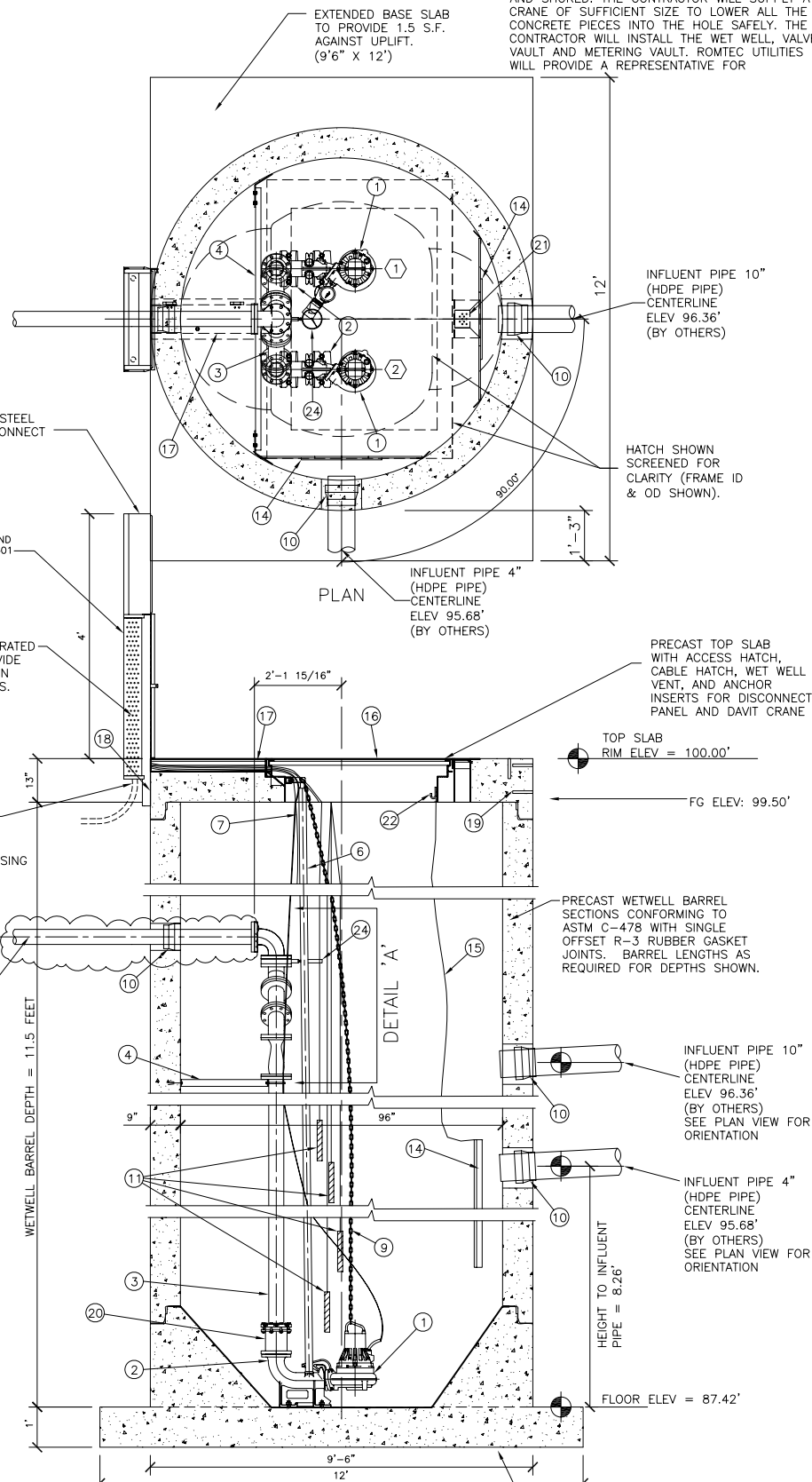
- ③ 4" STAINLESS STEEL DISCHARGE PIPING (SCHD 40) FACTORY TESTED TO 100 PSI. PROVIDE ALL PIPE PENETRATION WITH RUBBER BOOTS (KOR-N-SEAL).
- ⑤ 4", DI, 90 DEGREE BEND, FLG X FLG
- ⑧ 4" DI, TRUE WYE, FLG X FLG X FLG.
- ⑫ 4" DI, SPOOL X 10-9/16", FLG X FLG
- ⑬ 4" DI, 45 DEGREE BEND, FLG X FLG
- ⑳ FLYGT BALL CHECK VALVE, TYPE 5087 PART # 839173

NOTE: ROMTEC UTILITIES PIPE STOPS AT THE HORIZONTAL FLANGE ON THE 90 DEGREE BEND. THE CUSTOMER IS TO SUPPLY THE 4" HDPE FLANGED X PLAIN END SPOOL. THIS FLANGE MUST FIT STANDARD ANSI/AWWA C110/A21.10 DUCTILE IRON FLANGED FITTINGS. THE FLANGED SURFACE SHALL BE FACED AND DRILLED IN ACCORDANCE WITH ANSI CLASS 125 B16.1. (THIS IS AN INDUSTRY STANDARD FLANGE.)



DETAIL 'A'
 SCALE: 1" = 1'-0"

LEVEL ELEVATION	DISTANCE-BETWEEN-POINTS	SET POINT DESCRIPTION
96.36		10" CENTERLINE SEWER IN
95.68		4" CENTERLINE SEWER IN
96.00		HIGH LEVEL ALARM
	1.0	SENSOR SPACING
95.00		LAG PUMP START
	1.50	SENSOR SPACING
93.50		LEAD PUMP START
	3.00	SENSOR SPACING
90.50		PUMP STOP
	2.58	DISTANCE
87.42		FLOOR ELEVATION



PUMP DESIGNATIONS

- ① PUMP #1 2-EQ-521-P-0006A
- ② PUMP #2 2-EQ-521-P-0006B

WET WELL DESIGN NOTES:

- ① SUBMERSIBLE NON-CLOG SEWAGE PUMPS, FLYGT MODEL CP-3085 (436). PROVIDE ONE PUMP WITH MIX FLUSH VALVE.
- ② 4-INCH FLYGT DISCHARGE ELBOW.
- ③ 4" STAINLESS STEEL DISCHARGE PIPING (SCHD 40) FACTORY TESTED TO 100 PSI. PROVIDE ALL PIPE PENETRATION WITH RUBBER BOOTS (KOR-N-SEAL).
- ④ STAINLESS STEEL DISCHARGE PIPE ANCHOR BRACKET.
- ⑤ 4", DI, 90 DEGREE BEND, FLG X FLG
- ⑥ TWO 2-INCH SCHEDULE 40 STAINLESS STEEL GUIDE BARS FOR EACH PUMP (FULL HEIGHT). ATTACH TO HATCH UNI-STRUT WITH FLYGT UPPER GUIDE BAR BRACKET.
- ⑦ PUMP POWER CABLE WITH QUICK CONNECT COUPLING AT PUMP DISCONNECT PANEL. PROVIDE EACH CABLE WITH A STAINLESS STEEL BASKET CABLE GRIP ATTACHED TO HOOK ON UPPER GUIDE BAR BRACKET.
- ⑧ 4" DI, TRUE WYE, FLG X FLG X FLG.
- ⑨ 1/4" STAINLESS STEEL CHAIN (S-4) ATTACHED TO PUMP HANDLE FOR PUMP RETRIEVAL. USING FLYGT GRIP EYE. PROVIDE CHAIN WITH 3/8" & 1/2" STAINLESS STEEL BOW SHACKLE WITH SCREW PIN ATTACHED TO PUMP HANDLE. ATTACH UPPER END OF CHAIN TO HOOK ON UPPER GUIDE BAR BRACKET.
- ⑩ WET WELL SEAL, KOR-N-SEAL.
- ⑪ PUMP LIQUID LEVEL CONTROL PROBE, MULTITRODE PROBE. (3) SINGLE SENSOR: 0.2/1/10, (1) THREE SENSOR 0.6/3/10 (THIS IS THE TOP PROBE). PROVIDE MULTITRODE MTAK-2 PROBE MOUNTING BRACKET MOUNTED TO HATCH UNI-STRUT.
- ⑫ 4" DI, SPOOL X 10-9/16", FLG X FLG
- ⑬ 4" DI, 45 DEGREE BEND, FLG X FLG
- ⑭ HDPE INFLUENT DEFLECTOR WITH FULL SIZE INSPECTION HOLE AND GUILLOTINE COVER.
- ⑮ 1/8" STAINLESS STEEL LIFTING CABLE FOR INFLUENT DEFLECTOR INSPECTION HOLE COVER. PERMANENTLY ATTACH UPPER END OF CABLE TO HATCH UNI-STRUT.
- ⑯ FLYGT ALUMINUM ACCESS HATCH (43" X 66" CLEAR OPENING) FLED-43X66HDAOSH. PRECAST INTO WET WELL TOP SLAB. PROVIDE WITH SAFE-HATCH SAFETY GRATE BY FLYGT.
- ⑰ ALUMINUM CABLE HATCH PRECAST INTO WET WELL TOP SLAB. PROVIDE WITH SLAM LOCKS, HINGED 1/4-INCH ALUMINUM DIAMOND PLATE COVER.
- ⑱ STAINLESS STEEL ANCHOR INSERTS FOR PUMP DISCONNECT PANEL.
- ⑲ STAINLESS STEEL ANCHOR INSERTS FOR PUMP DAVIT CRANE BASE.
- ⑳ RESTRAINED FLANGED COUPLING ADAPTER, ROMAC RFCA - 4.80. (FBEC)
- ㉑ ALUMINUM WET WELL VENT PRECAST INTO TOP SLAB.
- ㉒ 3/16 STAINLESS STEEL CABLE HOOKS
- ㉓ FLYGT BALL CHECK VALVE, TYPE 5087 PART # 839173
- ㉔ 4" ASHCROFT TYPE 81 ISO-RING SENSOR WITH ASHCROFT 1009 PRESSURE GAUGE 6" DIAL FACE, STAINLESS STEEL CASE. 30 PSI 60-1009AL-02L-30PSI

NO.	DATE	DESCRIPTION	BY

VERIFY SCALE
 BAR IS ONE INCH ON ORIGINAL DRAWING
 IF NOT ONE INCH ON SCALES ACCORDINGLY
 0 1"
 DSN.
 DRN.
 CKD.
 DATE:

ROMTEC UTILITIES
 18240 NORTH BANK ROAD
 ROSEBURG, OR 97470
 (541) 496-9678
 FAX (541) 496-0804

ROMTEC UTILITIES
 8" DIA. WETWELL
 4" DISCHARGE NO VAULT