

CUSTOM WASTEWATER

DUPLEX-6' X 10' WET WELL & VALVE VAULT

WET WELL, VALVE VAULT, ELECTRICAL CONTROLS AND SCADA

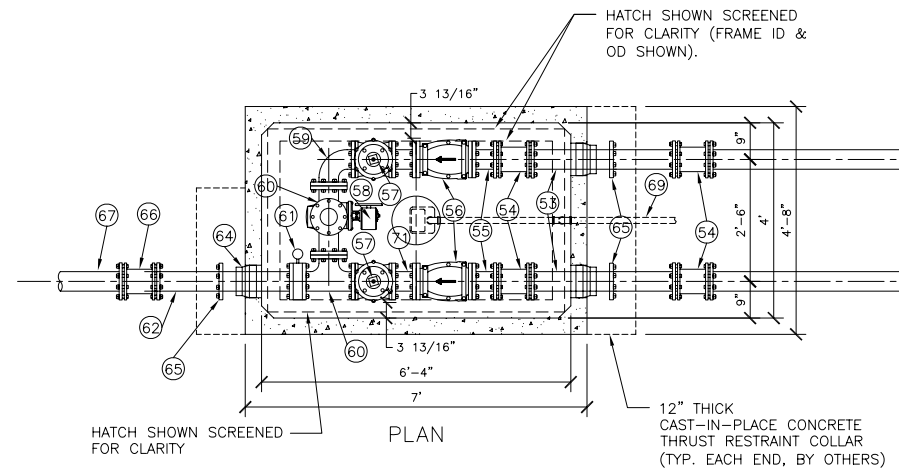
VAULT DESIGN NOTES:

1. ALL PIPING & VALVES WITHIN VAULT ARE 4 INCH DIAMETER.
2. HATCH DESIGN LOADS: 700 LB/SQUARE FOOT.
3. VALVES AND VAULT PIPING SYSTEM FACTORY TESTED TO AFTER ASSEMBLY.

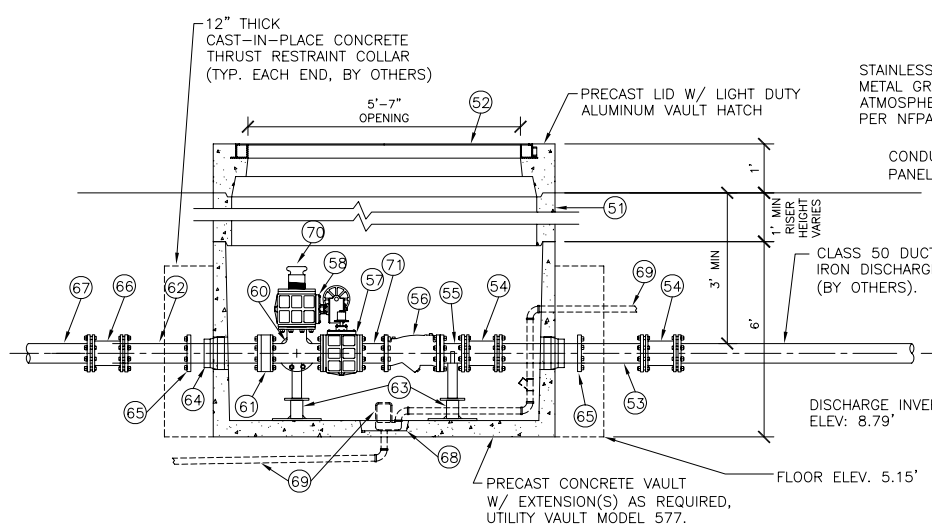
SET NON-TRAFFIC RATED TOP SLABS A MINIMUM OF 12-INCHES ABOVE ADJACENT GRADE, OR INSTALL PIPE BOLLARDS AS REQUIRED FOR PROTECTION (TYPICAL FOR BOTH WETWELL & VALVE VAULT, BY OTHERS)

NOTE: WETWELL TOP SLABS ARE NOT TRAFFIC RATED.

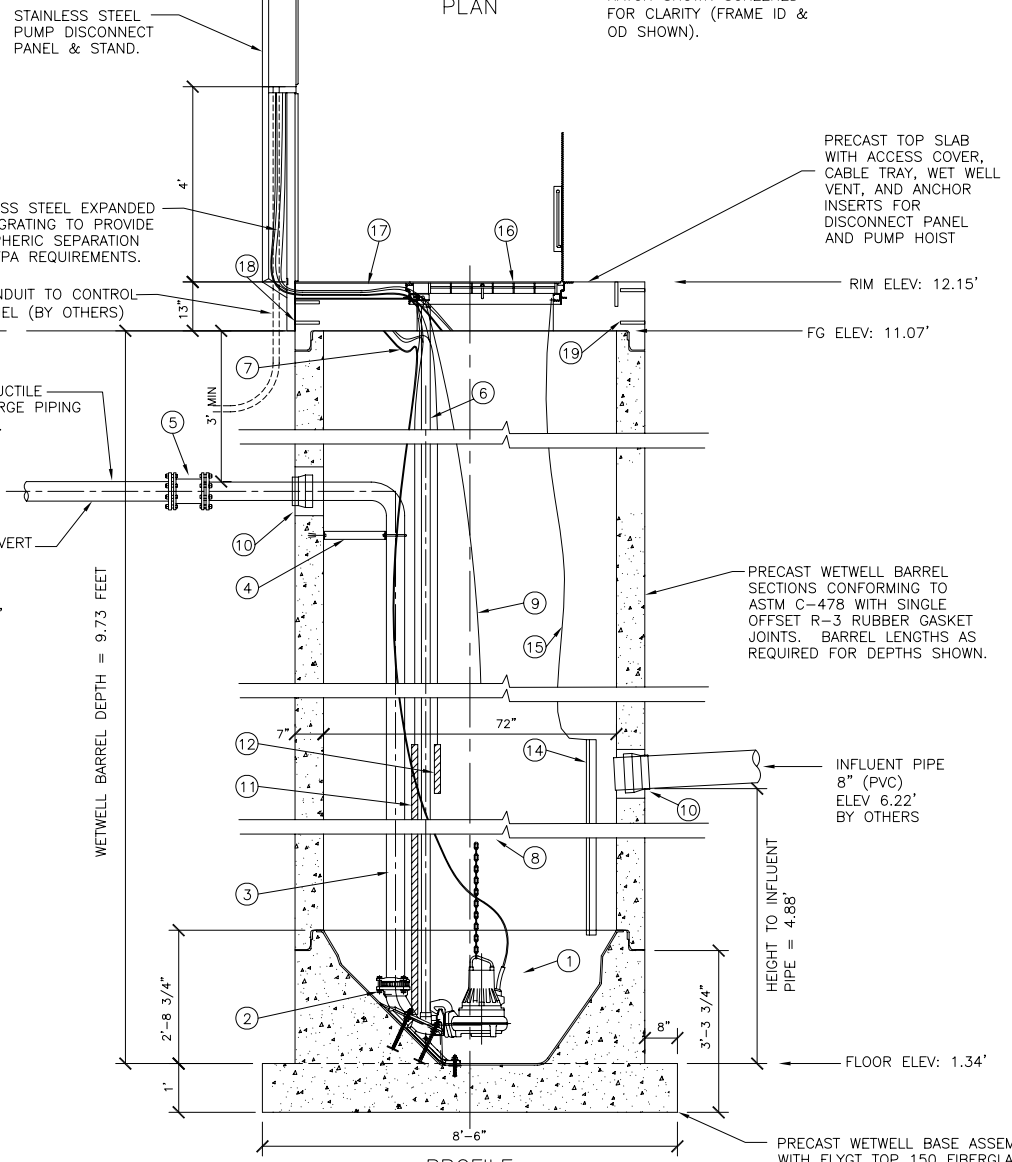
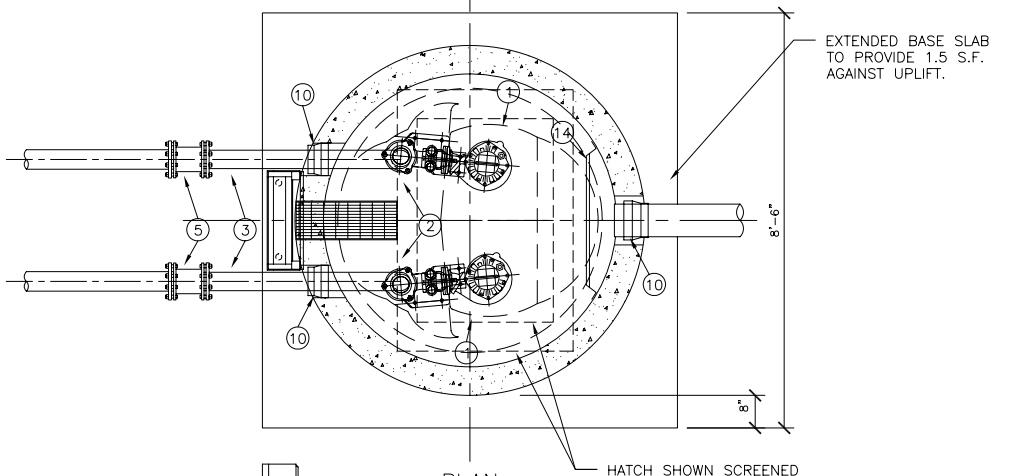
- (51) VAULT EXTENSION RISER(S), HEIGHT AS REQUIRED FOR PIPE COVER DEPTH SHOWN.
- (52) FLYGT ALUMINUM ACCESS HATCH PRECAST INTO VAULT TOP SLAB.
- (53) CL 52 DI PIPE SPOOL (PE x PE)
- (54) DI SLEEVE COUPLING, DI TO DI PIPE
- (55) DI PIPE SPOOL (FLG x PE)
- (56) FLANGED DI BODY SWING CHECK VALVE, APCO MODEL 104 (P3). PROVIDE ONE VALVE WITH BACKFLOW DEVICE.
- (57) ECCENTRIC PLUG VALVE W/2-INCH OPERATING NUT, DEZURIK MODEL PEC4.
- (58) ECCENTRIC PLUG VALVE W/HAND WHEEL OPERATOR, DEZURIK MODEL PEC4.
- (59) DI 90° BEND (FLG x FLG)
- (60) DI TEE (FLG x FLG)
- (61) WAFER STYLE DIAPHRAM PRESSURE SENSOR, RED VALVE SERIES 40.
- (62) DI PIPE SPOOL (FLG x PE)
- (63) ADJUSTABLE PIPE SUPPORT, STANDON (TYP OF 3).
- (64) VAULT SEAL, KOR-N-SEAL (TYP OF 3).
- (65) RETAINER GLAND CENTERED IN THRUST COLLAR, ROMA-GRIP (TYP OF 3).
- (66) SLEEVE COUPLING, DI VAULT PIPING TO FORCE MAIN PIPING (BY OTHERS)
- (67) FORCE MAIN (BY OTHERS).
- (68) PRECAST VAULT SUMP FOR SUMP PUMP OR GRAVITY DRAIN TO APPROVED POINT.
- (69) GRAVITY DRAIN (BY OTHERS). COORDINATE WITH BUILDING CONTRACTOR TO CONNECT SUMP TO PUMP STATION.
- (70) 4" CAM-LOCK, MALE X I.P. THREADED.
- (71) DI PIPE SPOOL (FLG X FLG)



NOTE: VAULT TOP SLABS ARE NOT TRAFFIC RATED.



4" VALVE VAULT
SCALE: 1/2" = 1'-0"



6' DIAMETER WETWELL
SCALE: 1/2" = 1'-0"

- (1) SUBMERSIBLE NON-CLOG SEWAGE PUMPS, FLYGT MODEL CP-3085 (434). PROVIDE ONE PUMP WITH MIX FLUSH VALVE.
- (2) 4-INCH FLYGT DISCHARGE ELBOW.
- (3) STAINLESS STEEL DISCHARGE PIPING (SCHD 40) FACTORY TESTED. PROVIDE ALL PIPE PENETRATION(S) WITH RUBBER BOOTS (KOR-N-SEAL).
- (4) STAINLESS STEEL DISCHARGE PIPE ANCHOR BRACKET.
- (5) DI SLEEVE COUPLING, STAINLESS STEEL TO DI PIPING
- (6) TWO 2-INCH SCHEDULE 40 STAINLESS STEEL GUIDE BARS FOR EACH PUMP (FULL HEIGHT). ATTACH TO HATCH UNI-STRUT WITH FLYGT UPPER GUIDE BAR BRACKET.
- (7) PUMP POWER CABLE WITH QUICK CONNECT COUPLING AT PUMP DISCONNECT PANEL. PROVIDE EACH CABLE WITH A STAINLESS STEEL BASKET CABLE GRIP ATTACHED TO HOOK ON UPPER GUIDE BAR BRACKET.
- (8) STAINLESS STEEL CHAIN SLING FOR PUMP RETRIEVAL USING FLYGT GRIP-EYE. ATTACH TO PUMP LIFTING HANDLE.
- (9) 1/4" STAINLESS STEEL CHAIN (S-4 ATTACHED TO PUMP HANDLE. PROVIDE CHAIN WITH 3/8" & 1/2" STAINLESS STEEL BOW SHACKLE WITH SCREW PIN ATTACHED TO PUMP HANDLE. ATTACH UPPER END OF CHAIN TO HOOK ON UPPER GUIDE BAR BRACKET.
- (10) WETWELL SEAL, KOR-N-SEAL.
- (11) PUMP LIQUID LEVEL CONTROL PROBE, FLYGT MULTI-TRODE PROBE. PROBE LENGTH = 80 INCHES (2.0 METERS) NUMBER OF SENSORS = 10 SENSOR SPACING = 8-INCHES. PROVIDE MULTITRODE MTK-1 PROBE MOUNTING BRACKET MOUNTED TO HATCH UNI-STRUT.
- (12) REDUNDANT CONTROL SYSTEM. CUSTOM MULTI-TRODE 3 SENSOR PROBE FOR REDUNDANT HIGH LEVEL ALARM AND PUMP START COMMAND.
- (13) NOT USED.
- (14) HDPE INFLUENT DEFLECTOR WITH FULL SIZE INSPECTION HOLE AND GUILLOTINE COVER.
- (15) 1/8" STAINLESS STEEL LIFTING CABLE FOR INFLUENT DEFLECTOR INSPECTION HOLE COVER. PERMANENTLY ATTACH UPPER END OF CABLE TO HATCH UNI-STRUT.
- (16) FLYGT ALUMINUM ACCESS HATCH PRECAST INTO WETWELL TOP SLAB. PROVIDE WITH SAFE-HATCH SAFETY GRATE BY FLYGT.
- (17) ALUMINUM CABLE HATCH AND WETWELL VENT PRECAST INTO WETWELL TOP SLAB. PROVIDE WITH STAINLESS STEEL HINGES AND SLAM-LOCK.
- (18) STAINLESS STEEL ANCHOR INSERTS FOR PUMP DISCONNECT PANEL.
- (19) STAINLESS STEEL ANCHOR INSERTS FOR PUMP DAVIT CRANE BASE.
- (20) NOT USED.

NO.	DATE	DESCRIPTION	BY

ROMTEC UTILITIES
18240 NORTH BANK ROAD
ROSEBURG, OR 97470
(541) 496-9678
FAX (541) 496-0804

ROMTEC UTILITIES
6' WETWELL
& VAULT
4" DISCHARGE

