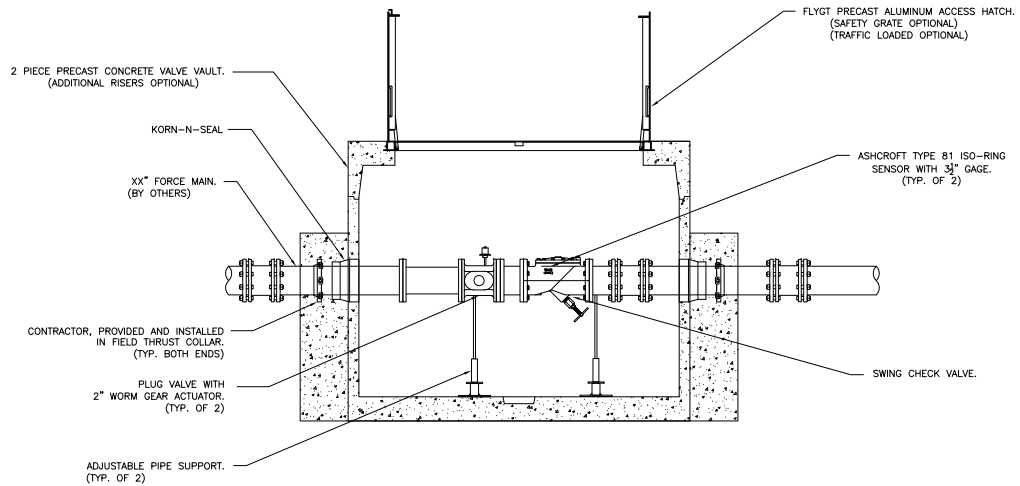
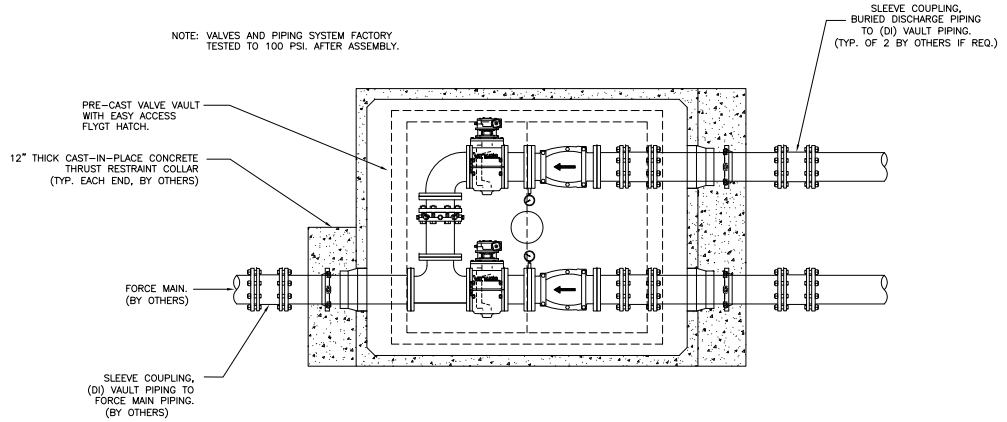


# STANDARD VALVE VAULT

# DUPLEX - 10" FORCE MAIN

NOTE: VALVE VAULT TOP SLAB IS PEDESTRIAN RATED.



10" DUPLEX VALVE VAULT

VEBRY SCALE	DATE NOV. 2007
SEE S & ME END ON	NO. 1 DATE
0	DESCRIPTION
IF NOT THE END OF	REVISIONS
SCALE OCCASIONALLY	
DISH. AD	
DRN. AD	
BY	

10" FORCE MAIN

VALVE VAULT  
LIFT STATION OPTION

SHEET  
1 OF 1

JOB NUMBER  
RMTc\_0000

**ROMTEC UTILITIES**  
18240 NORTH BANK ROAD  
ROSEBURG, OR 97470  
(541)-496-9678  
FAX (541)-496-0804